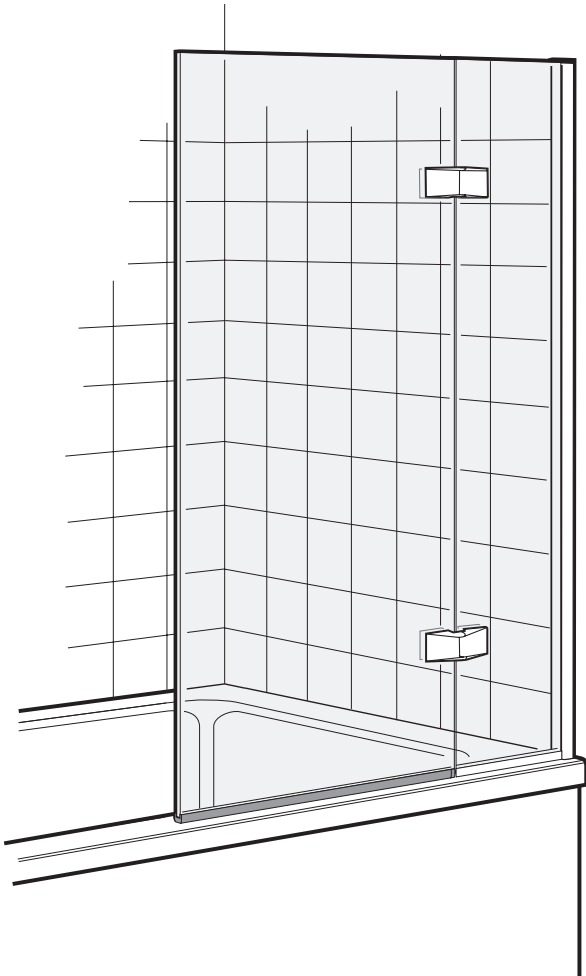




Minima Hinged Bath Screen (352)



Fitting Instructions

The Daryl Care Programme

Keeping your enclosure beautiful throughout its lifetime is easy with products from the Daryl care programme

Using state of the art bespoke machinery combined with the latest technology, all Daryl doors and panels are coated with a glass protector in highly controlled factory conditions. The protector acts as an invisible barrier on the glass to prevent build up of limescale, soap scum, stains and dirt. The factory applied protector will last from months to years depending on use and the hardness of water in your area. It will never crack, peel, discolour or build up. Coated surfaces are kept clean simply by rinsing or wiping with a damp cloth and regular use of Daryl Glass Cleaner.

There are two separate elements to caring for your Daryl shower door, enclosure or bath screen.

- 1 Daryl Glass Cleaner for the regular cleaning of your shower door, enclosure or screen
- 2 Daryl Care Kit comprising of Glass Treatment and Glass Protector suitable for use where glass protector has not already been applied or for topping up factory coated protector

Daryl Glass Cleaner

For occasional cleaning of glass treated with Daryl Glass Protector or for more regular maintenance of untreated surfaces, we recommend using Daryl Glass Cleaner. The Cleaner cleans and polishes without smearing or streaking and rejuvenates the Glass Protector.

Daryl Glass Treatment and Daryl Glass Protector

Available in one care kit, the Treatment and Protector are used on new or existing shower installations where Protector has not already been applied and for topping up factory coated glass after a reasonable length of time. The Treatment must always be used on existing shower installations to prepare for the Protector. The Treatment is a cleaning material that is applied to the glass to ensure it is in the cleanest condition possible prior to application of the Protector. If this process is not undertaken, there is the likelihood of locking in dust, dirt and stains under the Protector.

Daryl Protector acts as an invisible barrier on the glass to prevent the build up of lime scale, soap scum, stains and dirt. Applied like a polish, one application will last from months to years depending on use and the hardness of water in your area. It will never crack, peel, discolour or build up. Coated surfaces are kept clean simply by rinsing or wiping with a damp cloth and regular use of Daryl Glass Cleaner.

Regular cleaning

- Mildew thrives in damp, unventilated areas. It is, therefore, important to always wipe down, with a soft cloth or towel, the glass and metal sections inside the shower every time it is used
- Do not allow water to remain on glass and metal sections for long periods of time
- Every week or two, use Daryl Glass Cleaner to polish the enclosure (including metal sections) ensuring all surfaces are wiped down
- In hard water areas, do not allow lime scale to build up. Stubborn deposits of lime scale can usually be removed by using a 50:50 solution of vinegar and water, which should be rinsed off thoroughly and dried after use
- Regular cleaning is required to remove the small amounts of residue that are not repelled by the Protector

Everyday Care

Wipe down the glass and metal sections with a soft cloth or towel and warm water after each time the shower is used. Do not allow water to remain on glass and metal sections for long periods, do not allow the build up of lime scale and do not use caustic cleaners or abrasives.

Daryl showers trays

If you have a Daryl shower tray scuffs and marks on acrylic trays can often be removed by the light use of a mildly abrasive cleaner applied with a damp cloth and polished off.

Other cleaning materials

Ensure that if you use a non-Daryl cleaning product, it has a pH level between 4 & 8 and is non-abrasive. Prolonged use of cleaners with a pH level outside the specified range can cause damage to metal sections and possibly affect the safe operation of your Daryl Shower. All cleaning material (including Daryl's) must be wiped down after application. Do not use 'spray and leave' cleaning products on the metal surface as these may cause damage to your door or enclosure.

Kohler Daryl Limited

Alfred Road, Wallasey, Wirral, CH44 7HY England

Tel 44 (0)151 606 5000 Fax 44 (0)151 638 0303

www.daryl-showers.co.uk

E-mail Daryl@daryl-showers.co.uk

Introduction

The following pages aim to provide comprehensive installation instructions, plus advice on how to care and maintain your product.

We recommend that the unit is installed by a qualified Plumber or Engineer.

Please retain this document for future reference.

Note: Due to our desire to always improve our products, Daryl reserve the right to change specification without prior notice.



Safety Precautions

Caution: Care should be taken when drilling into walls and floors to avoid any hidden pipes or wires.

We strongly recommend that all glass panels are moved by a minimum of two people and that any protective packaging along the glass edges is kept in place for as long as possible to prevent damage before installation.



Wear protective footwear when lifting panels



Wear safety glasses when drilling

People not familiar with the fitting of Daryl Products may require the assistance from another person at certain stages of the procedure. We have indicated these points in the process with the Caution Symbol.



Caution

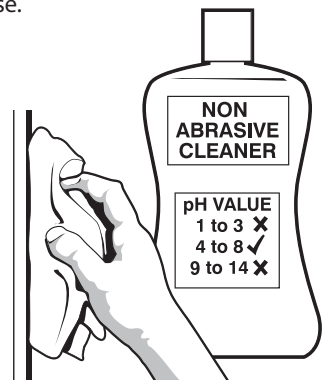
Care & Maintenance

The unit should be wiped down immediately after each use.

Use a non abrasive cleaner with a pH value between 4 & 8, applied with a soft cloth. A 50:50 solution of vinegar & water can be used on lime scale deposits, rinsing off thoroughly after use. Do not use alkalis such as caustic soda.

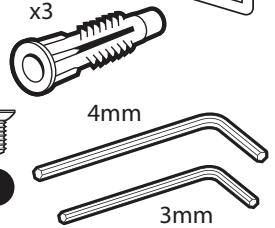
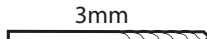
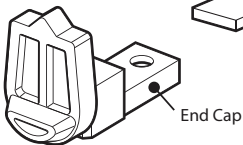
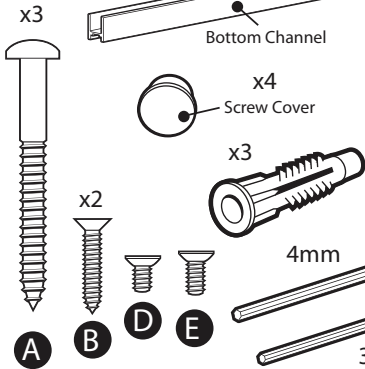
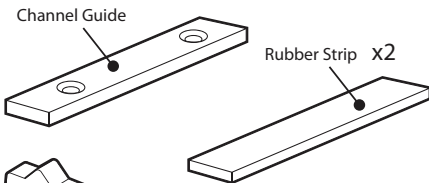
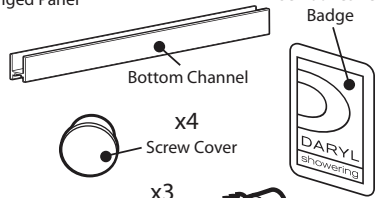
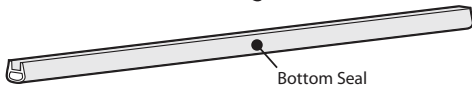
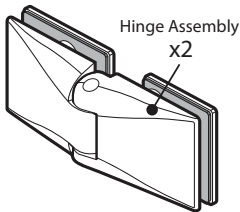
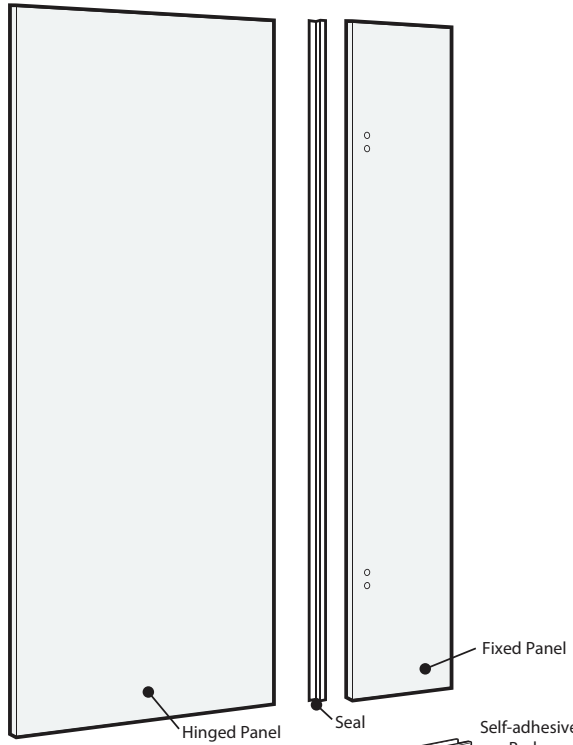
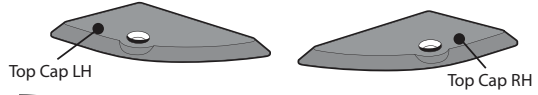
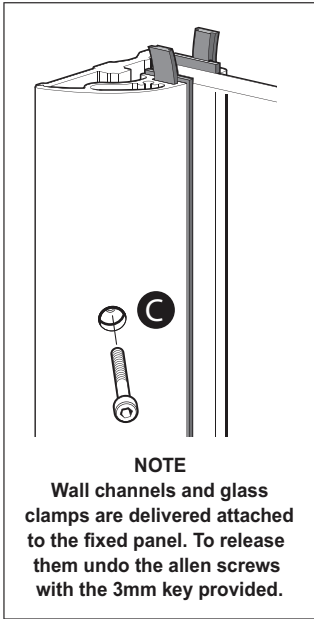
Under no circumstances should scourers or powerful detergents be used as these can damage the metallic surface of the frame and the surface of the tray or bath, and also tarnish the glass coating.

If fitted correctly the unit should not require any maintenance other than cleaning. If problems do occur contact the Daryl Technical Helpline
Tel: 0151 606 5000



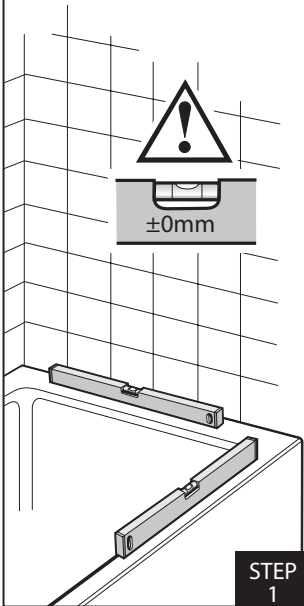
Made in the UK by: Kohler Daryl Limited
Alfred Road, Wallasey, Wirral, CH44 7HY England
Tel 44 (0)151 606 5000 Fax 44 (0)151 638 0303

Components



Before installation check that all components are correctly supplied.
If any parts are missing please ring the helpline. Tel: 0151 606 5000

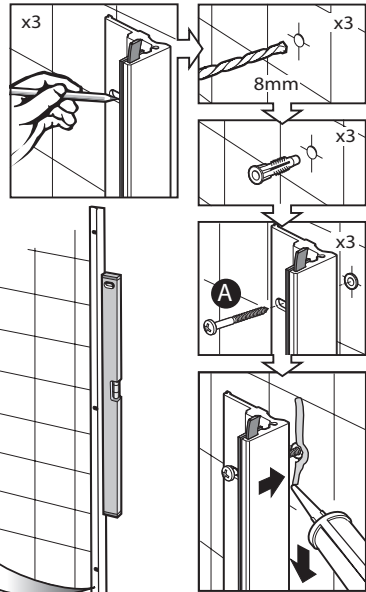
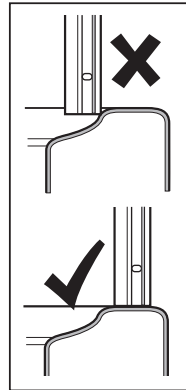
Ensure the bath is level.



STEP 1

Fit the wall channel.

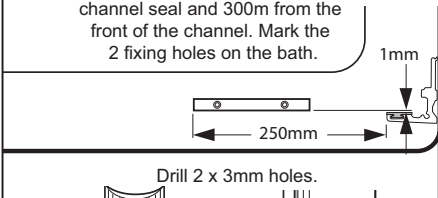
The wall channel **MUST** be plumb
Note:
Glass seal will extend out of wall channel



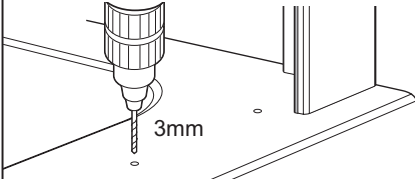
STEP 2

Plastic baths only.

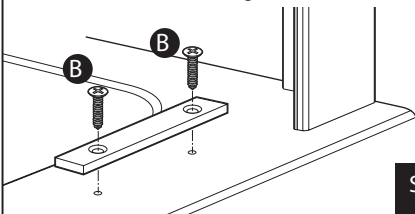
Place the channel guide on the top of the bath parallel with the bath side, 1mm from the wall channel seal and 300mm from the front of the channel. Mark the 2 fixing holes on the bath.



Drill 2 x 3mm holes.



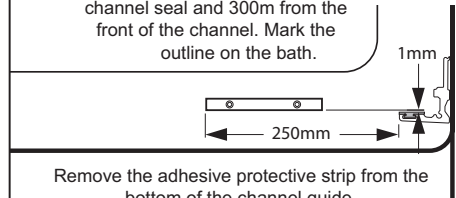
Screw the channel guide to the bath.



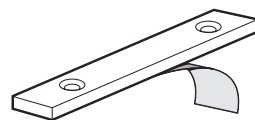
STEP 3

Metal baths only.

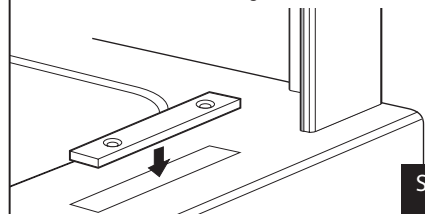
Place the channel guide on the top of the bath parallel with the bath side, 1mm from the wall channel seal and 300mm from the front of the channel. Mark the outline on the bath.



Remove the adhesive protective strip from the bottom of the channel guide.

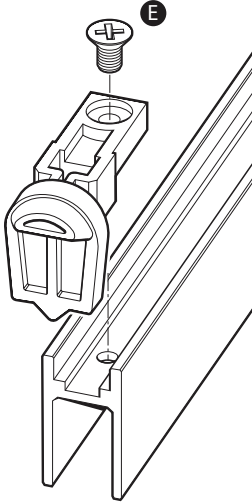


Stick the channel guide to the bath.



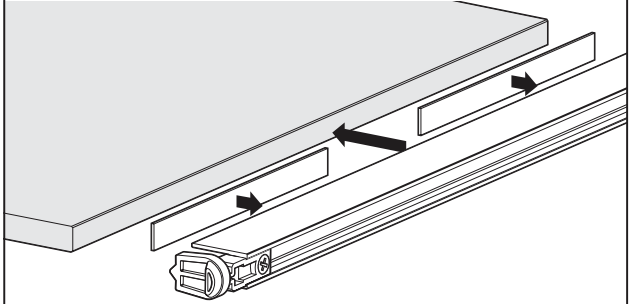
STEP 4

Fit the end cap to the underside of the fixed panel bottom channel.

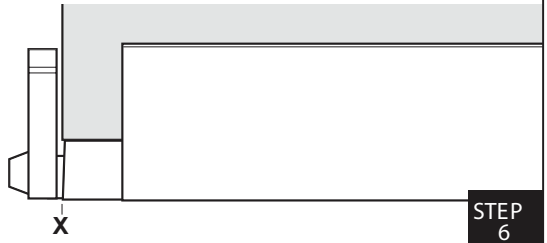


STEP 5

Place the two foam strips in the bottom channel. Fit the bottom channel to the underside of the glass. Knock on with a wooden or rubber hammer if required. The end cap must be on the same side as the hinges and the coated side of the glass must face the inside when the panel is fitted to the bath.



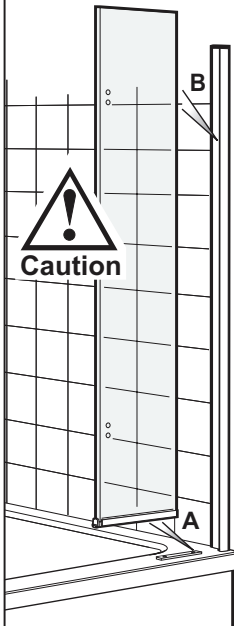
At the cap end of the glass, the front edge of the glass must be in line with the bottom of the moulding at 'X'.



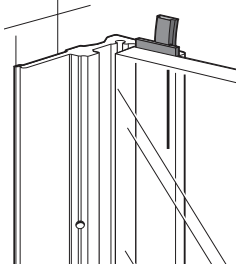
STEP 6

Fit the fixed panel ensuring the bottom channel fits over channel guide 'A'. Rest glass against seal of wall channel 'B'.

SUPPORT THE GLASS PANEL UNTIL THE GLASS CLAMP IS FITTED



Caution



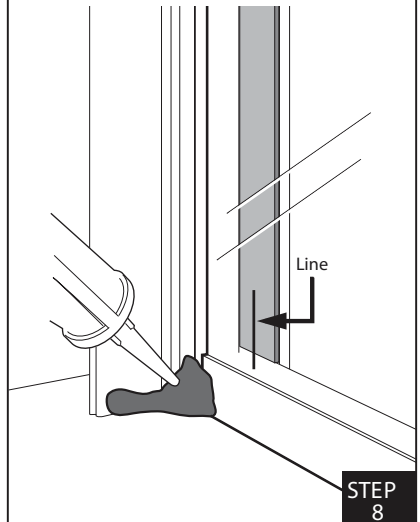
Push the glass fully into the wall channel.

STEP 7

The lines on the glass show the maximum amount of adjustment. These lines must not be visible once the glass clamp is fitted.

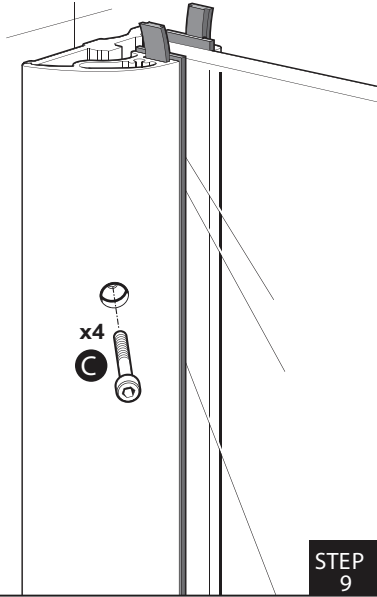
Place a blob of sealant at base of wall channel and the glass panel.

Keep the panel supported at all times.

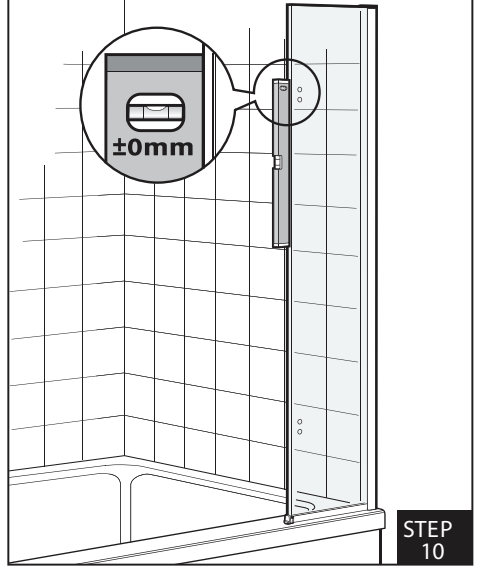


STEP 8

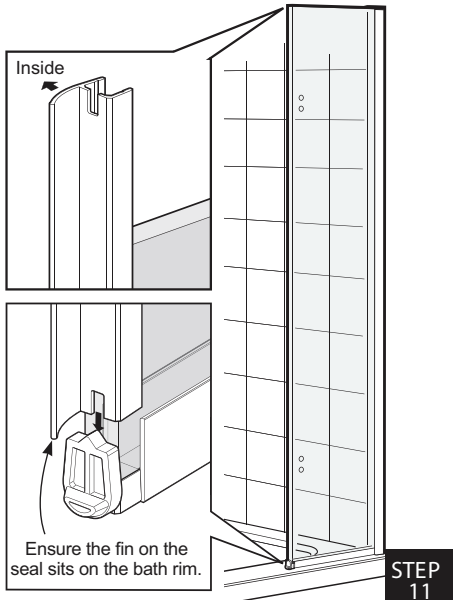
Fit the glass clamp and turn the screws until they lightly grip the glass.



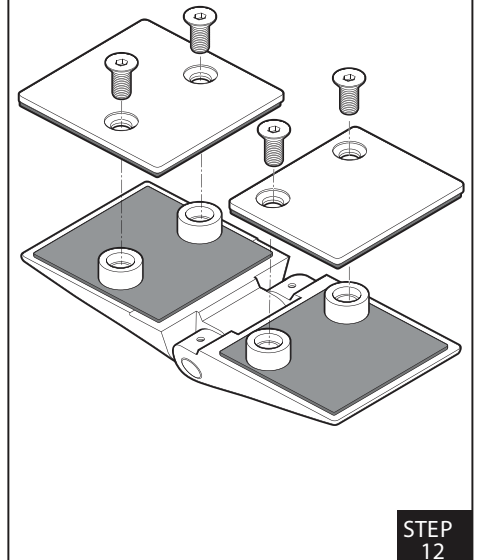
Check the panel is vertical and adjust if required. When the glass is in the correct position, fully tighten the glass clamp screws. Retighten the screws after 10 minutes.



Starting at the bottom, fit the seal to the edge of the hinge panel. The cutout in the seal fits into the end cap in the bottom channel.



Remove the back plates from the hinges.

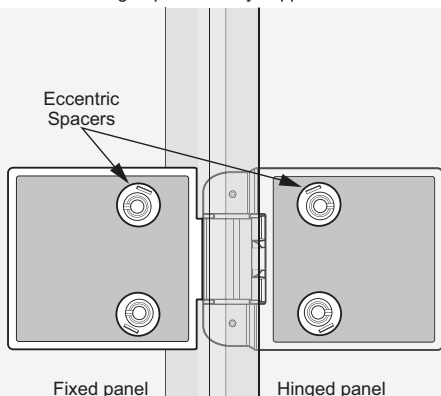


The height and angle of the hinged panel is set by eccentric spacers, turn the spacers using a flat screwdriver.

The positions shown below are recommended as an initial setting, adjust if necessary.

Important:

Ensure the hinged panel is fully supported at all times.

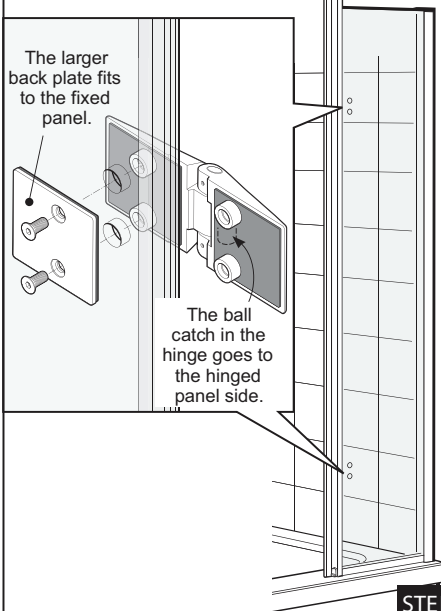


STEP
13

Fit the hinges to the fixed panel.

The larger back plate fits to the fixed panel.

The ball catch in the hinge goes to the hinged panel side.

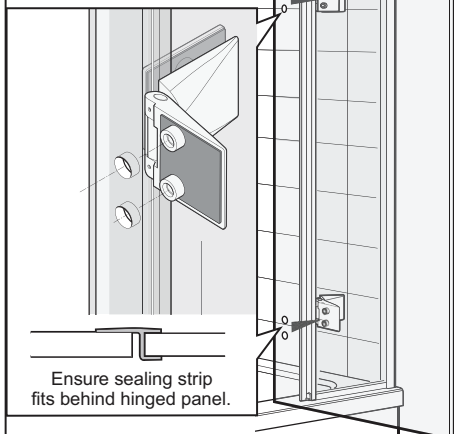


STEP
14

Fold hinge so it is at 90°. Fit the hinged panel to hinges ensuring it is fully supported at all times.

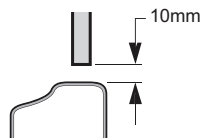
NOTE:

Coated side of glass goes to the inside.
(‘UNCOATED’ label on the outside)

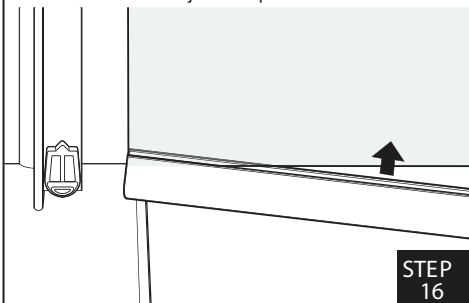


STEP
15

Adjust the eccentric spacers in the hinges until the gap between the bottom of the glass and the bath is 10mm.

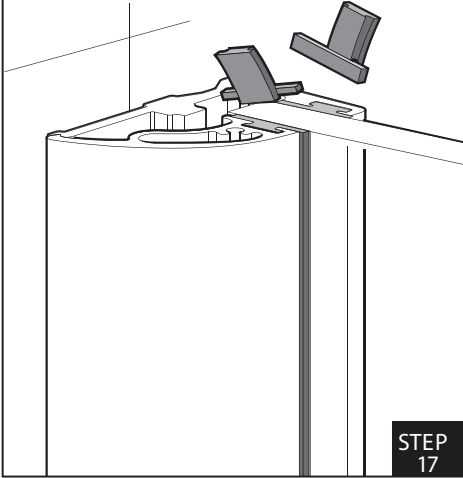


With the hinged panel fully open, fit the bottom seal. The end of the seal should align with the edge of the glass at the hinge end. Press the seal onto the glass along the full length. When the door is closed the profile of the seal should slightly compress the bottom channel end cap. Adjust if required.



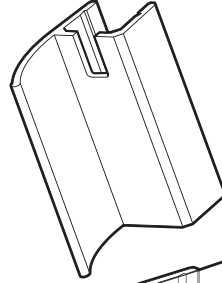
STEP
16

Cut the seals exposed at the top of the wall channel with a sharp knife.



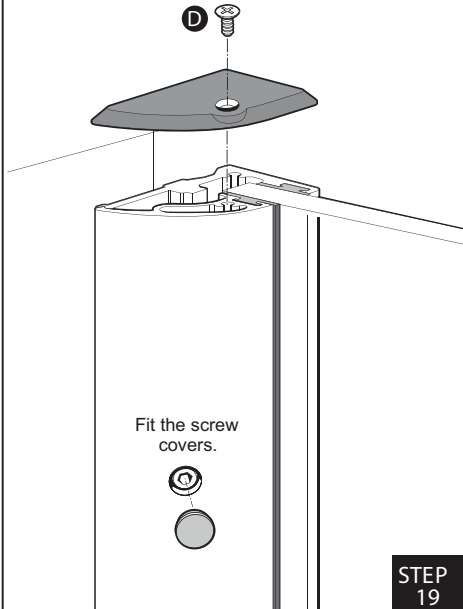
STEP
17

Cut the vertical seal exposed at the top of the fixed panel with a fine hacksaw.



STEP
18

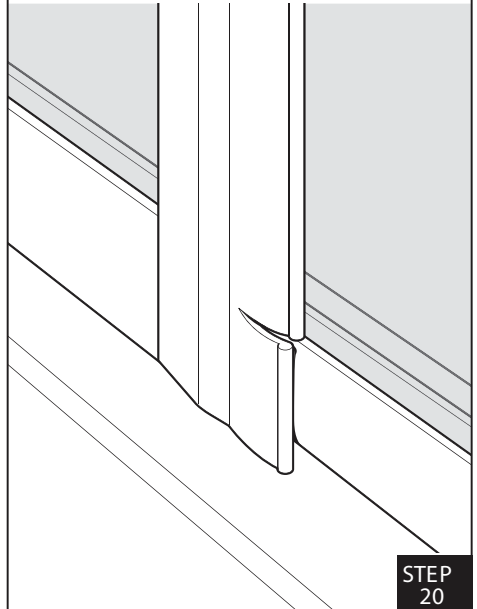
Fit the top cap.



Fit the screw covers.

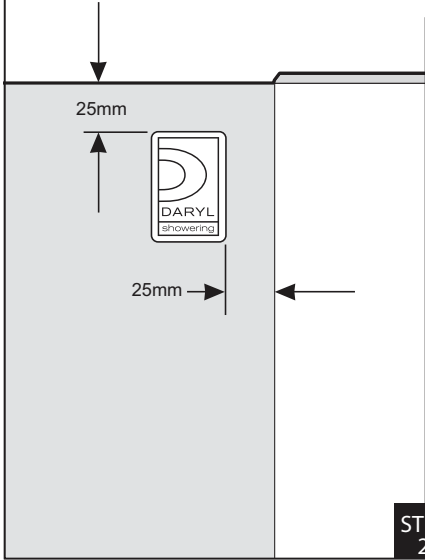
STEP
19

Using a sharp knife, make a cut in the vertical seal in line with the top of the bottom seal so that the vertical seal touches the glass along its length.



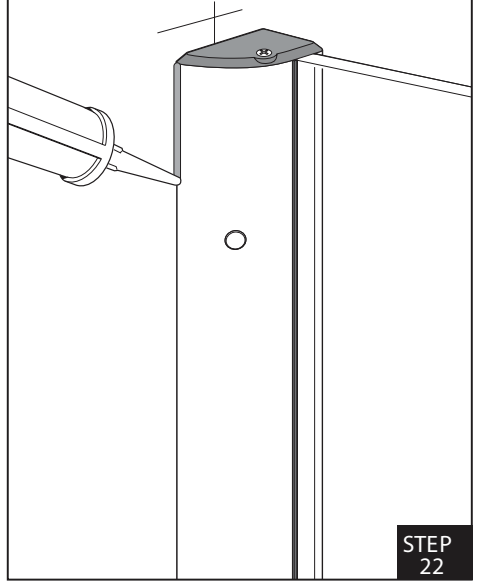
STEP
20

Remove the backing from self-adhesive badge and place it on the outside of the fixed panel 25mm from the edge of the wall channel and 25mm from the top of the glass.

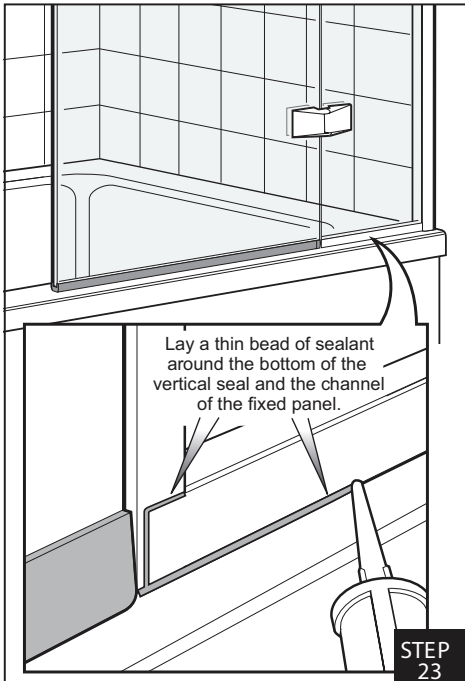


STEP
21

Seal between the wall channel and the wall.



STEP
22



STEP
23

Do not use the enclosure for at least 24 hours



STEP
24

Spare Parts

