

# The Daryl Care Programme

*Keeping your enclosure beautiful throughout its lifetime is easy with products from the Daryl care programme*

Using state of the art bespoke machinery combined with the latest technology, all Daryl doors and panels are coated with a glass protector in highly controlled factory conditions. The protector acts as an invisible barrier on the glass to prevent build up of limescale, soap scum, stains and dirt. The factory applied protector will last from months to years depending on use and the hardness of water in your area. It will never crack, peel, discolour or build up. Coated surfaces are kept clean simply by rinsing or wiping with a damp cloth and regular use of Daryl Glass Cleaner.

There are two separate elements to caring for your Daryl shower door, enclosure or bath screen.

- 1 Daryl Glass Cleaner for the regular cleaning of your shower door, enclosure or screen
- 2 Daryl Care Kit comprising of Glass Treatment and Glass Protector suitable for use where glass protector has not already been applied or for topping up factory coated protector

## Daryl Glass Cleaner

For occasional cleaning of glass treated with Daryl Glass Protector or for more regular maintenance of untreated surfaces, we recommend using Daryl Glass Cleaner. The Cleaner cleans and polishes without smearing or streaking and rejuvenates the Glass Protector.

## Daryl Glass Treatment and Daryl Glass Protector

Available in one care kit, the Treatment and Protector are used on new or existing shower installations where Protector has not already been applied and for topping up factory coated glass after a reasonable length of time. The Treatment must always be used on existing shower installations to prepare for the Protector. The Treatment is a cleaning material that is applied to the glass to ensure it is in the cleanest condition possible prior to application of the Protector. If this process is not undertaken, there is the likelihood of locking in dust, dirt and stains under the Protector.

Daryl Protector acts as an invisible barrier on the glass to prevent the build up of lime scale, soap scum, stains and dirt. Applied like a polish, one application will last from months to years depending on use and the hardness of water in your area. It will never crack, peel, discolour or build up. Coated surfaces are kept clean simply by rinsing or wiping with a damp cloth and regular use of Daryl Glass Cleaner.

## Regular cleaning

- Mildew thrives in damp, unventilated areas. It is, therefore, important to always wipe down, with a soft cloth or towel, the glass and metal sections inside the shower every time it is used
- Do not allow water to remain on glass and metal sections for long periods of time
- Every week or two, use Daryl Glass Cleaner to polish the enclosure (including metal sections) ensuring all surfaces are wiped down
- In hard water areas, do not allow lime scale to build up. Stubborn deposits of lime scale can usually be removed by using a 50:50 solution of vinegar and water, which should be rinsed off thoroughly and dried after use
- Regular cleaning is required to remove the small amounts of residue that are not repelled by the Protector

## Everyday Care

Wipe down the glass and metal sections with a soft cloth or towel and warm water after each time the shower is used. Do not allow water to remain on glass and metal sections for long periods, do not allow the build up of lime scale and do not use caustic cleaners or abrasives.

## Daryl showers trays

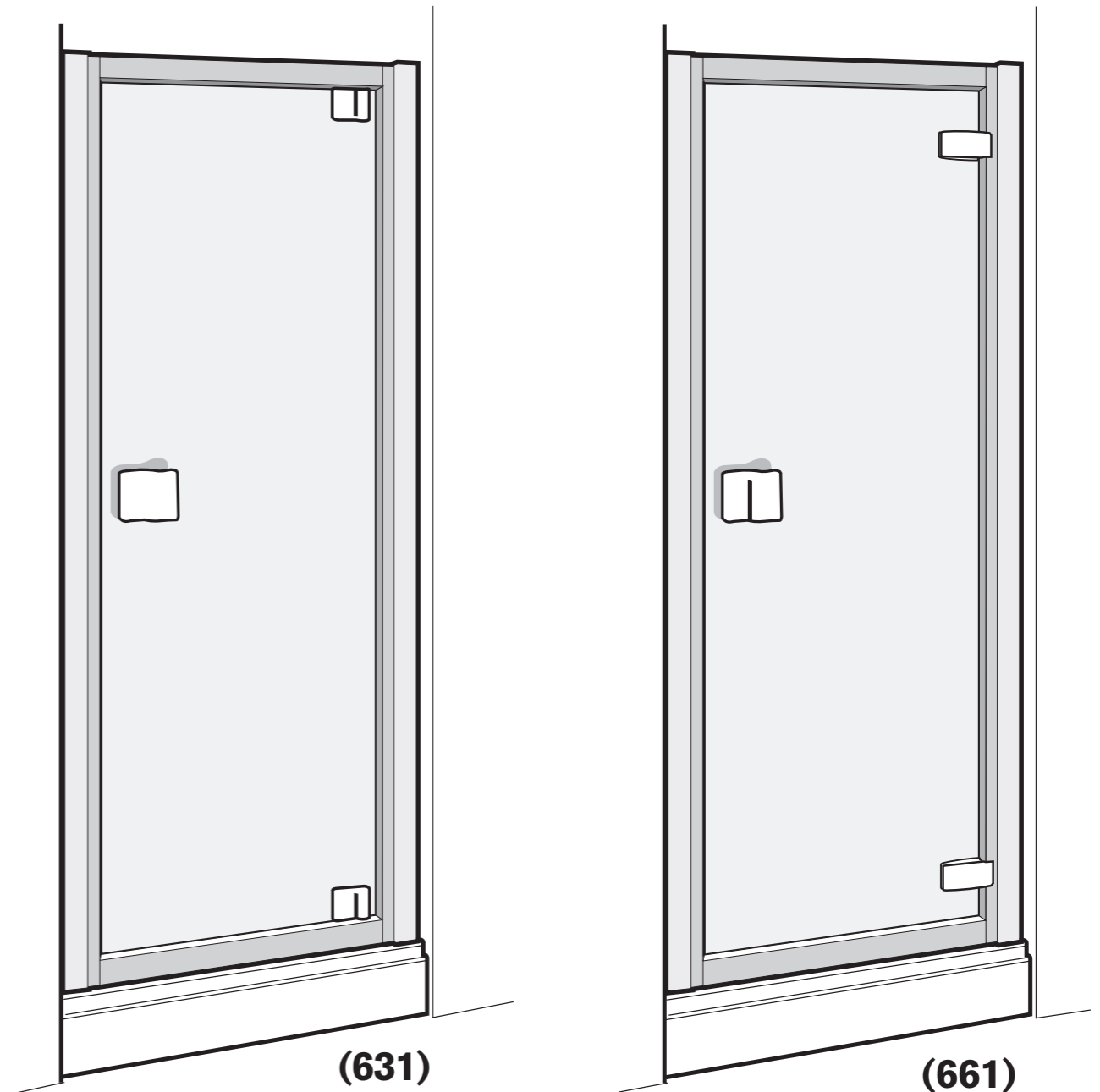
If you have a Daryl shower tray scuffs and marks on acrylic trays can often be removed by the light use of a mildly abrasive cleaner applied with a damp cloth and polished off.

## Other cleaning materials

Ensure that if you use a non-Daryl cleaning product, it has a pH level between 4 & 8 and is non-abrasive. Prolonged use of cleaners with a pH level outside the specified range can cause damage to metal sections and possibly affect the safe operation of your Daryl Shower. All cleaning material (including Daryl's) must be wiped down after application. Do not use 'spray and leave' cleaning products on the metal surface as these may cause damage to your door or enclosure.



# Cyan Hinged Door & Pivot Door (661/631)





# Cyan Hinged & Pivot Door

## Contents

|        |                    |           |                          |
|--------|--------------------|-----------|--------------------------|
| Page 2 | Introduction       | Page 4    | Door Installation        |
| Page 2 | Safety Precautions | Back Page | The Daryl Care Programme |
| Page 3 | Components         |           |                          |

## Introduction

The following pages aim to provide comprehensive installation instructions, plus advice on how to care and maintain your product.

We recommend that the unit is installed by a qualified Plumber or Engineer.

Please retain this document for future reference.

Note: Due to our desire to always improve our products, Daryl reserve the right to change specification without prior notice

## Safety Precautions



Wear protective footwear when lifting panels



Wear Safety glasses when drilling

Glass panels should be handled with care and protective packaging along glass edges should be kept in place for as long as possible to prevent damage before installation

People not familiar with the fitting of Daryl Products may require the assistance from another person at certain stages of the procedure. We have indicated these points in the process with the Caution Symbol.



**Caution**

Fit the splashguard to the bottom of the glass door. Note: The lip should be on the inside.

631 Only

Ensure lip is on inside

**STEP 13**

Lay a thin bead of sealant along the bottom outside edge of the door frame.

**STEP 14**

If the door handle has moved during fitting carefully remove the screw cover on the inside handle and loosen the retaining screw. Reposition the handle, tighten the screw and replace the screw cover.

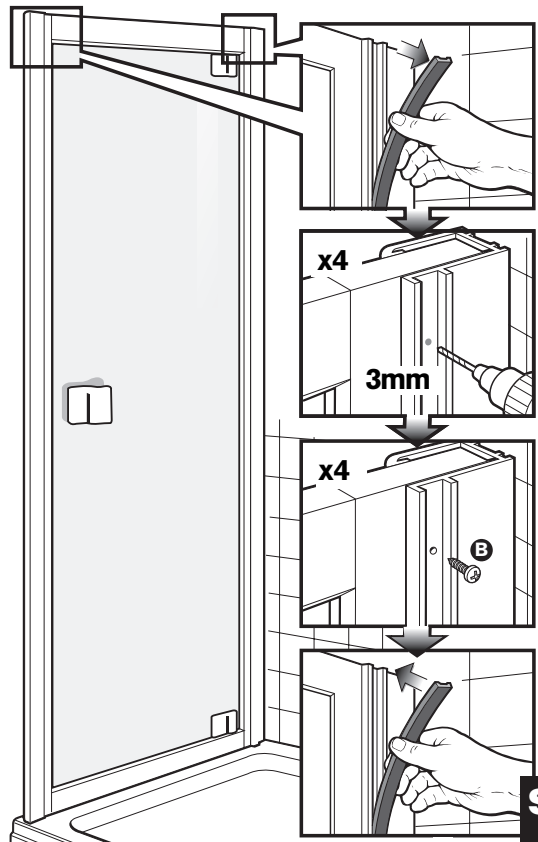
**STEP 15**

Do not use the shower for at least 24 hours whilst the sealant cures.

**24 hrs**

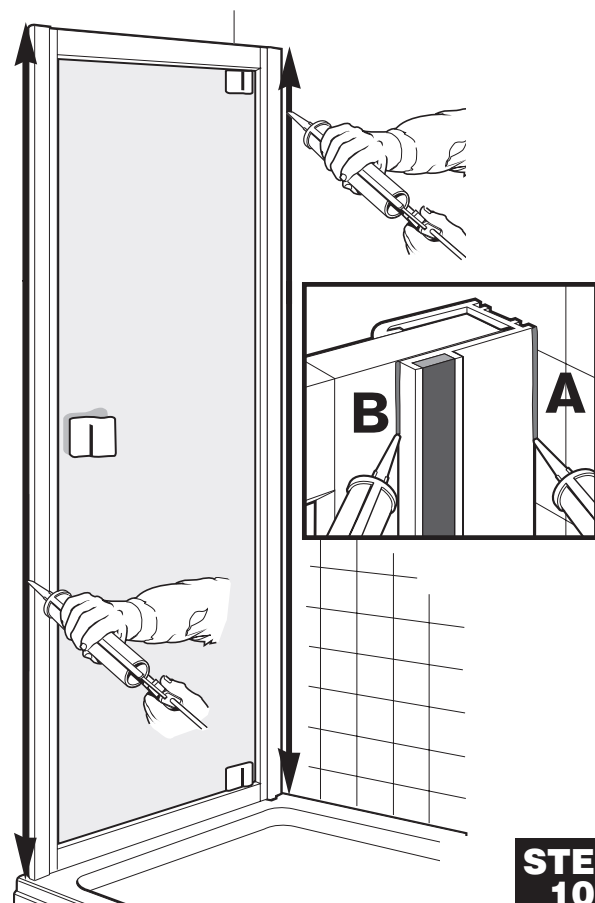
**STEP 16**

Pull back the screw cover seal on the wall channel.  
Drill 4 x 3mm holes and fit 4 x **B** screws.  
Re-fit the screw cover seal then repeat the procedure on the other side.

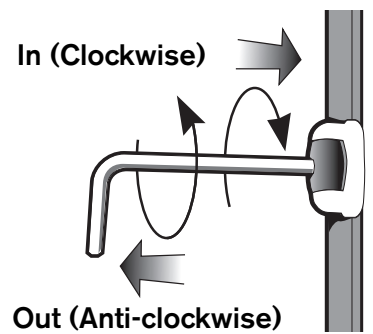


**STEP 9**

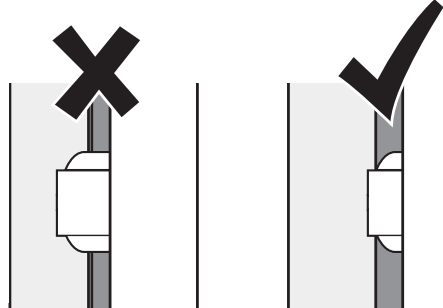
Lay a thin bead of sealant along edges 'A' and 'B' from top to bottom on both sides.



The door should open and close freely.  
If the door is difficult to close turn the catch screw clockwise to loosen it. If the door is too loose turn the catch screw anti-clockwise until the door opens and closes correctly.

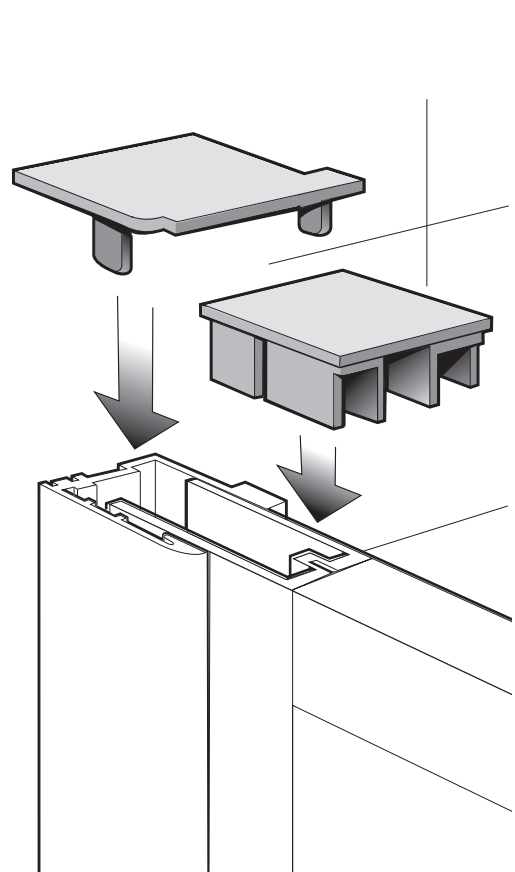


Correct position of door catch



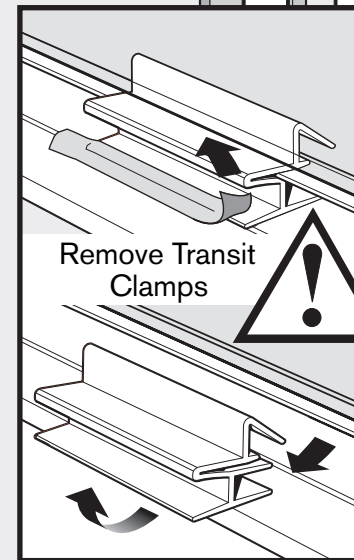
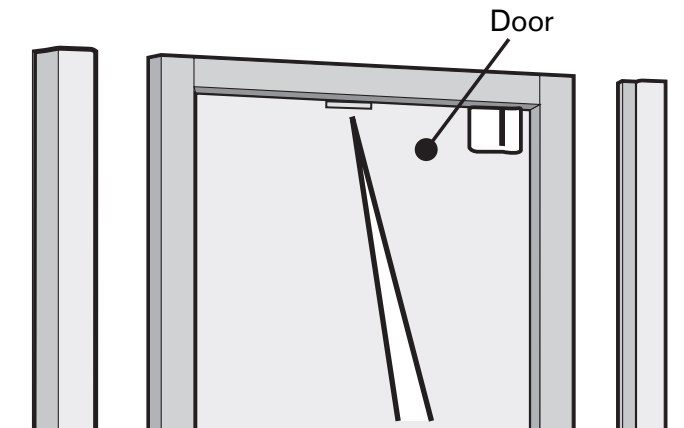
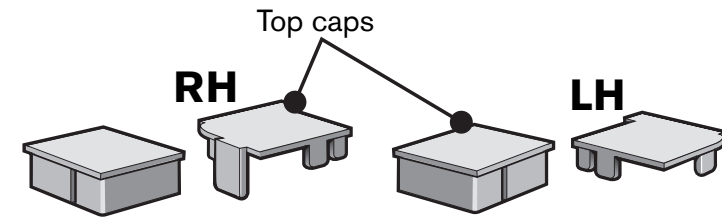
**STEP 11**

Fit top caps to both sides.

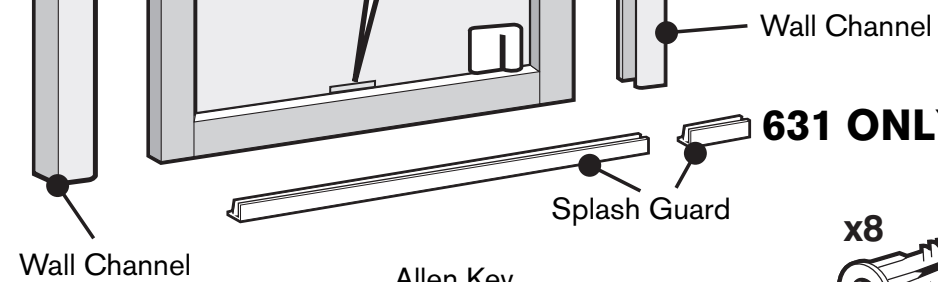
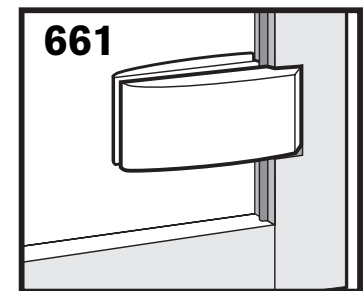
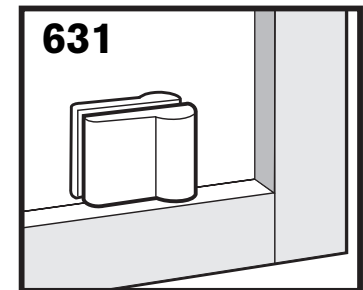


**STEP 12**

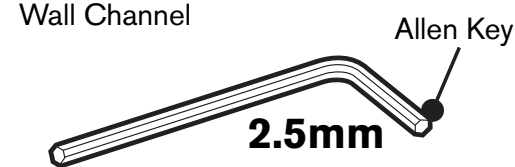
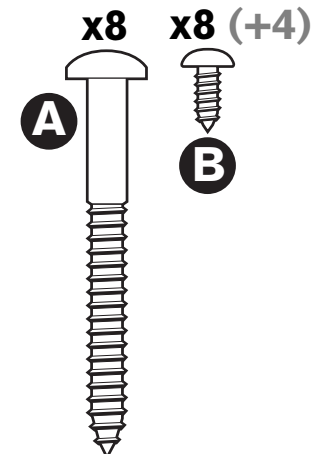
## COMPONENTS



|  | TRAY SIZE    | FRAME ADJUSTMENT                             |
|--|--------------|--|
|  | 700mm        | (631) 668 to 734mm                           |
|  | 762 or 800mm | (631) 720 to 786mm<br>(661) 733 to 786mm     |
|  | 900mm        | (631) 834 to 900mm<br>(661) 847 to 900mm     |
|  | 1000mm       | (631) 949 to 1015mm<br>(661) 962 to 1015mm   |
|  | 1200mm       | (631) 1134 to 1200mm<br>(661) 1147 to 1200mm |
|  | 1600mm       | (631/661) 1551 to 1617mm                     |
|  | 1700mm       | (631/661) 1665 to 1731mm                     |



**631 ONLY**

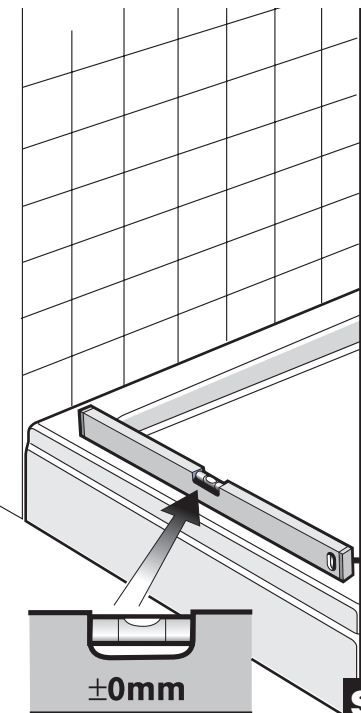


3mm

8mm

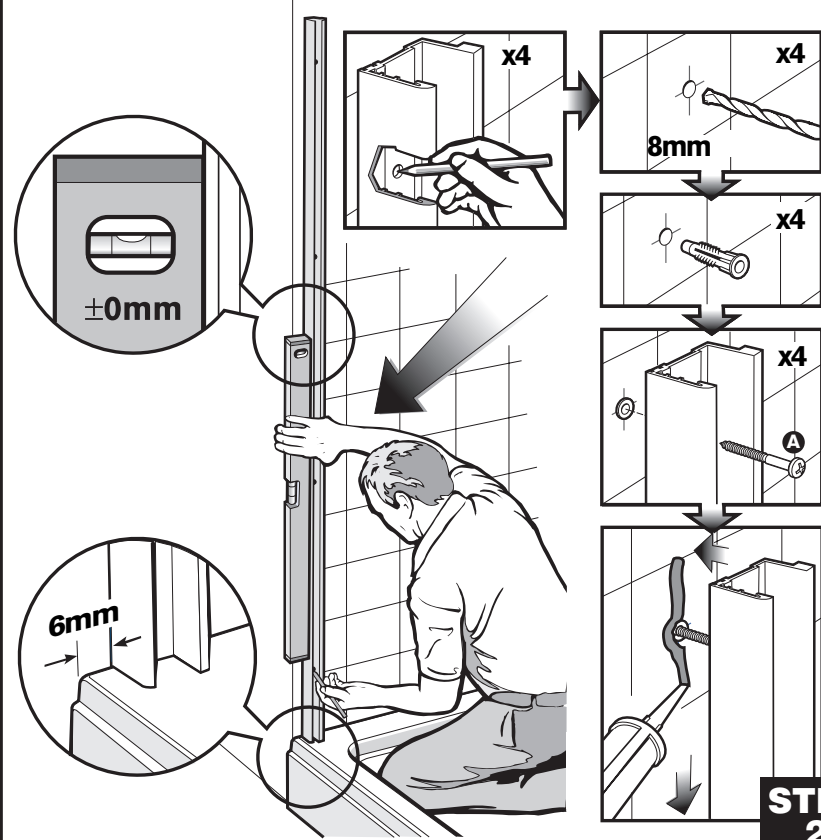
# DOOR INSTALLATION (631 VERION SHOWN UNLESS OTHERWISE STATED)

Fit shower tray and tile walls.  
See tray Instructions.  
**IMPORTANT:**  
Tray **MUST** be level



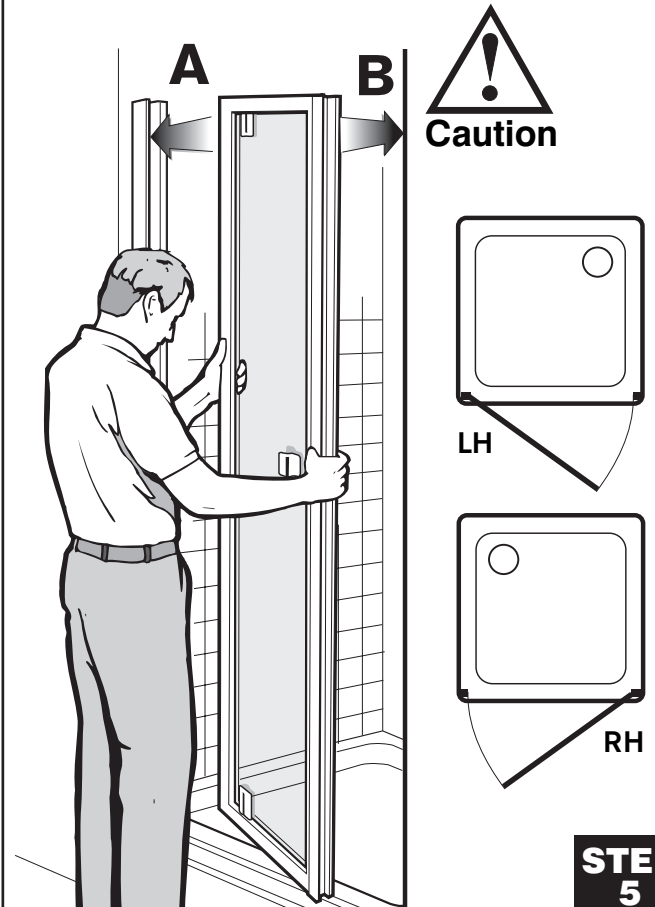
**STEP 1**

Fit wall channel to the hinged side



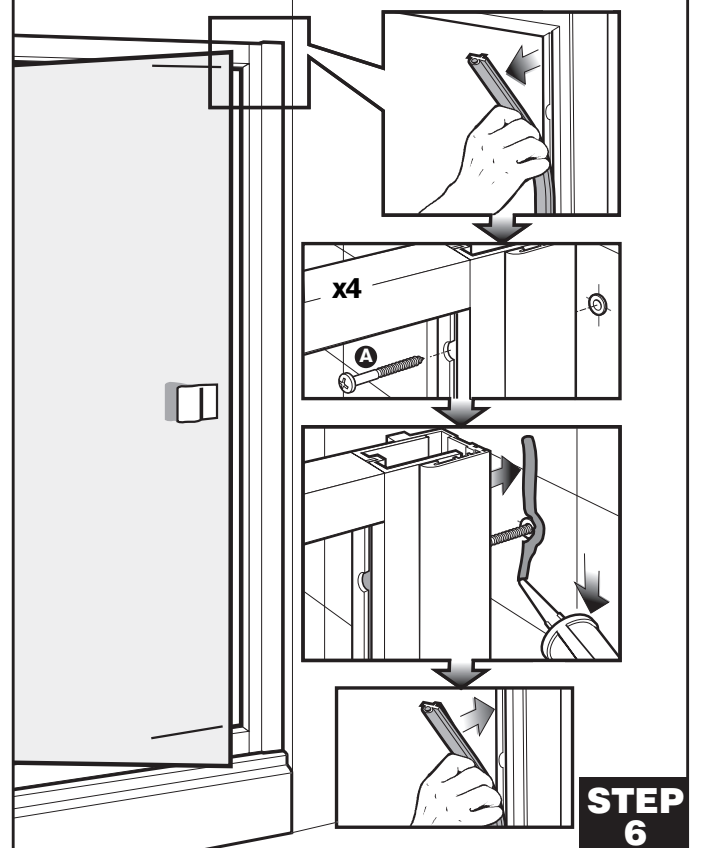
**STEP 2**

Slide the hinge side of the door into the wall channel 'A'. Push the other side into position 'B'.



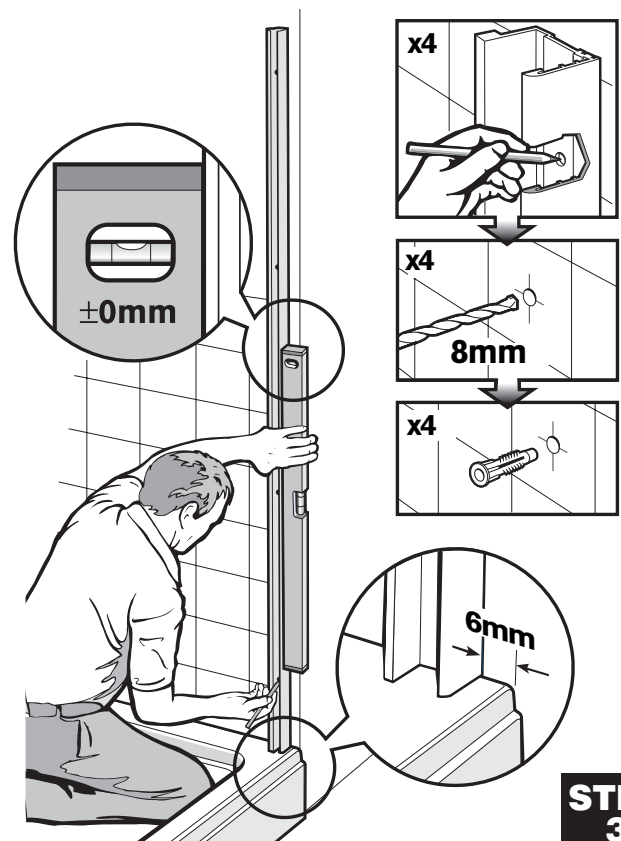
**STEP 5**

Pull back the cover seal on the inside of the door frame. Insert the screws through the frame and secure the wall channel to the wall.



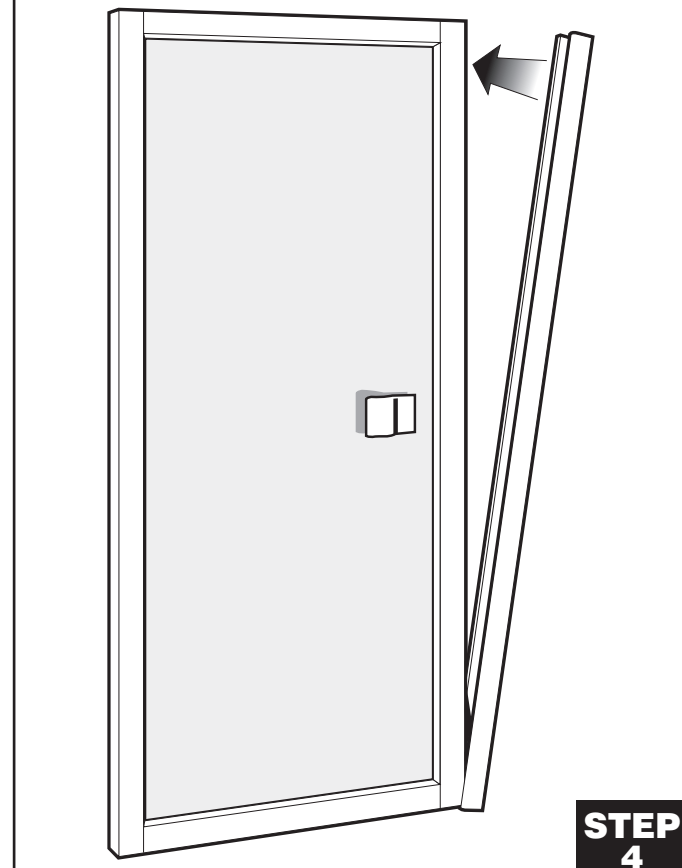
**STEP 6**

On the closing side mark, drill and plug the holes for the wall channel. **DO NOT** fit the wall channel at this point.



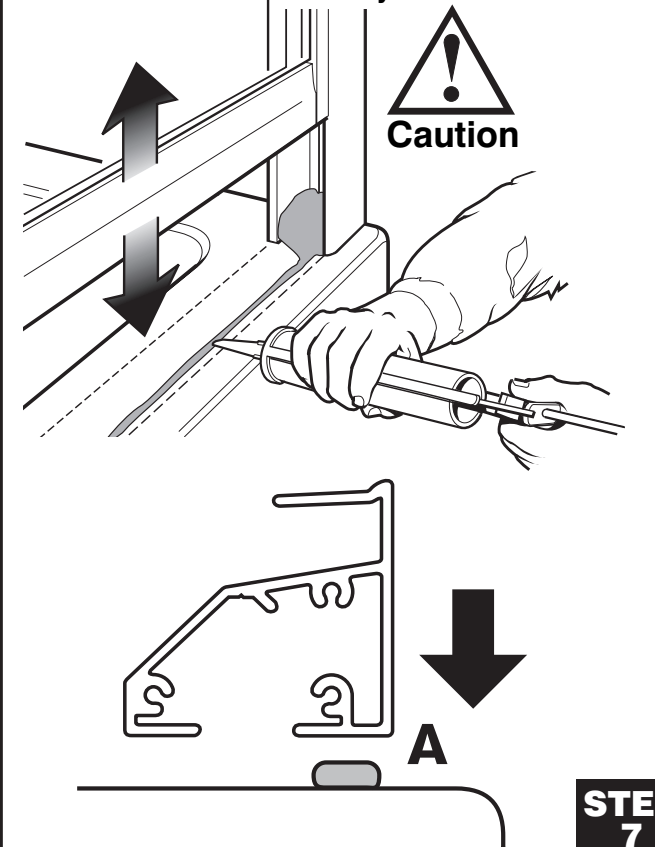
**STEP 3**

Place the remaining wall channel on the door.



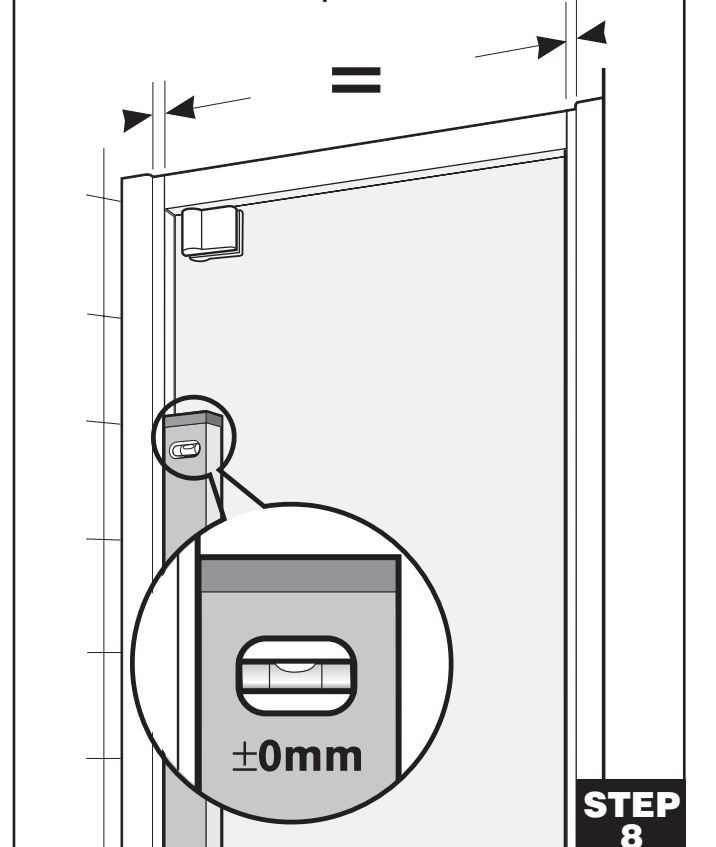
**STEP 4**

Lift the door and frame up and support. Lay a bead of sealant along the front edge 'A'. Carefully lower the door and frame back on to the tray.



**STEP 7**

Adjust the position of the door frame until it is equally spaced between the wall channels. Check the frame is vertical and adjust if required.



**STEP 8**