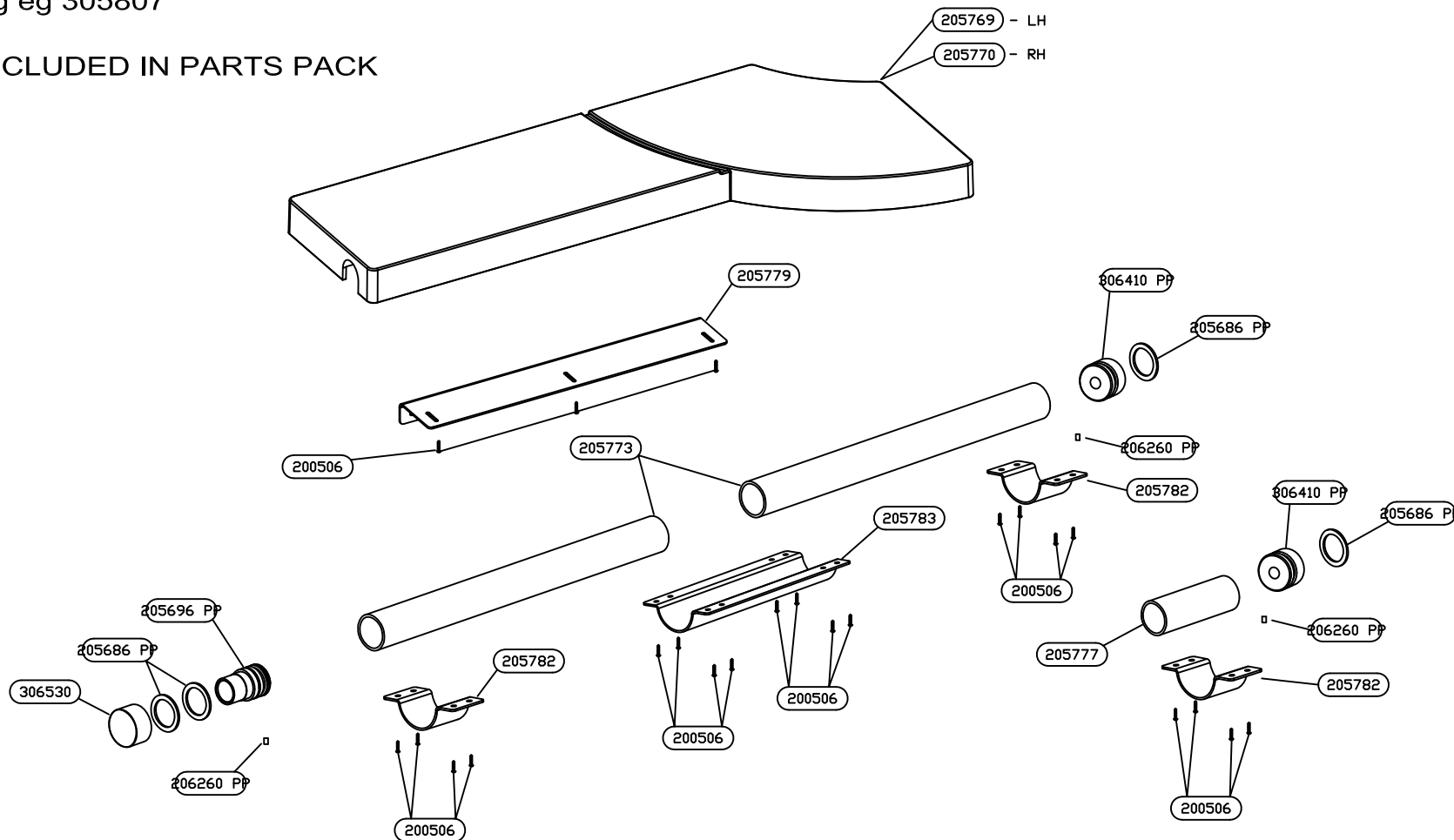


310 SHOWERSPACE SEAT

EX310(OLD)-2

To ensure correct replacement parts are sent be ready to quote the six digit part code from this drawing eg 305807

PP = INCLUDED IN PARTS PACK



Alfred Road
Wallasey Wirral
CH44 7HY ENGLAND
Tel 44 (0)151-606 5000
Fax 44 (0)151-638 0303
daryl@daryl-showers.co.uk