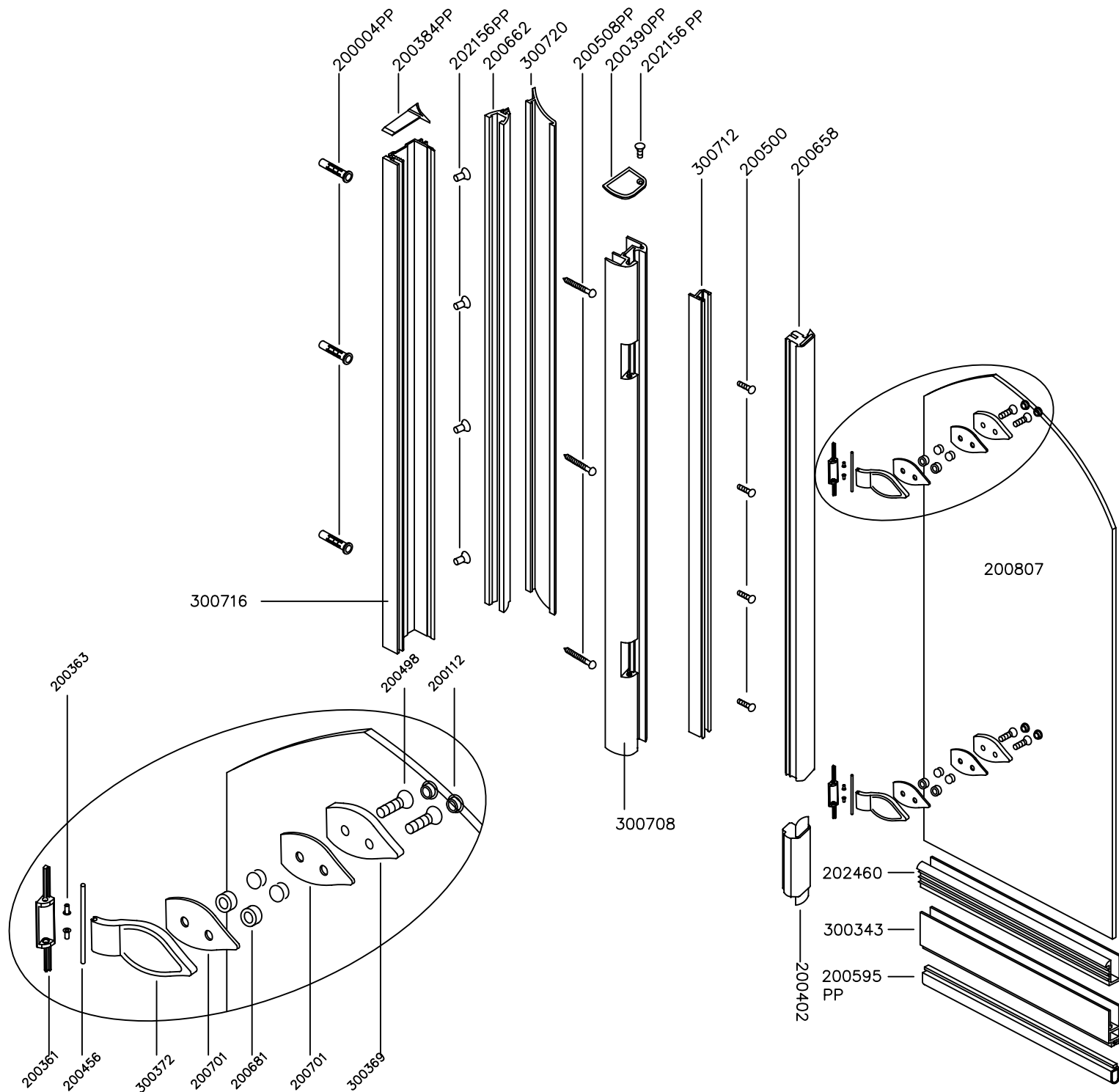




Alfred Road
Wallasey Wirral
CH44 7HY England
Tel 44 (0)151-606 5000
Fax 44 (0)151-638 0303
daryl@daryl-showers.co.uk



056 Bathscreen

The codes here refer to the silver model. To ensure correct replacement parts are sent be ready to quote:

- The six digit part code from this drawing eg 300720
- The frame finish eg silver