

---

# Torsion Shower Seat and Shelf Installation and User Guide

These instructions must be left with the user

---

# INTRODUCTION

Thank you for purchasing a quality Daryl product. To enjoy the full potential of your new product, please take time to read this guide thoroughly, having done so, keep it handy for future reference.

The following pages aim to provide comprehensive installation instructions, plus advice on how to care and maintain your product.

We recommend that the unit is installed by a qualified plumber or engineer.

## General

1. Read all of these instructions.
2. Retain this guide for later use.
3. Pass on this guide in the event of change of ownership of the installation site.
4. Follow all warnings, cautions and instructions contained in this guide.

## Guarantee

For domestic installations, Daryl Showers guarantee this shower seat and shelf against any defect in materials or workmanship, for a period of 10 years from the date of purchase. Details can be found on the back page of this guide.

# GENERAL INFORMATION

## Safety Information

1. Care should be taken when drilling into walls and floors to avoid any hidden pipes or wires.
2. Wear protective footwear.
3. Wear safety glasses when drilling.
4. The shower seat must be secured to a flat, sound and solid wall surface ('solid' means constructed of brick or high density concrete block).

**Warning!** All screws and wall plugs supplied **must** be securely fitted to the full depth.

**Warning!** This product has been designed as a seat or a shelf only and should not be used for any other purposes.

**Note!** The shower seat or shelf may be fixed to other wall types, but advice **must** be sought from a competent builder regarding wall structure and fastening prior to fitting.

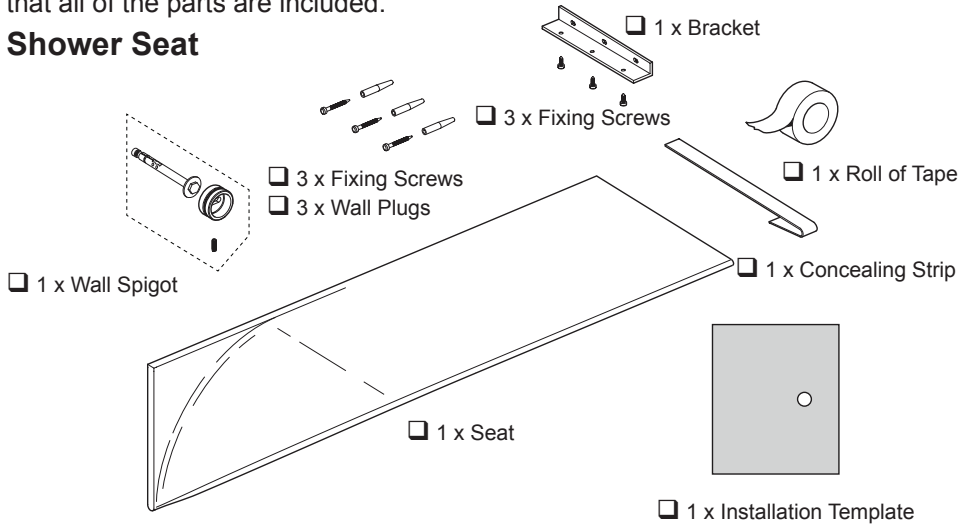
Cavities, voids, loose material, cables and pipes **must** be avoided when locating the fixing screws.

5. Designed for one Person - Maximum Weight - **150 kg (23 stone)** evenly distributed about the seat.

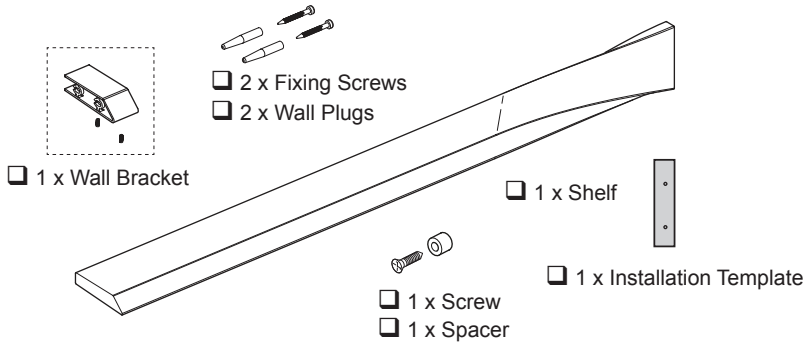
# PACK CONTENTS

Tick the appropriate boxes to familiarise yourself with the part names and to confirm that all of the parts are included.

## Shower Seat



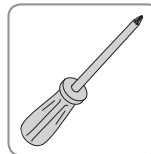
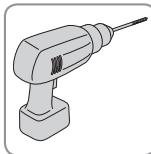
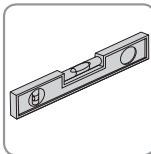
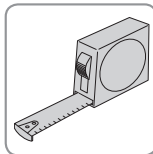
## Shelf



## Documentation

1 x Guarantee Registration Document

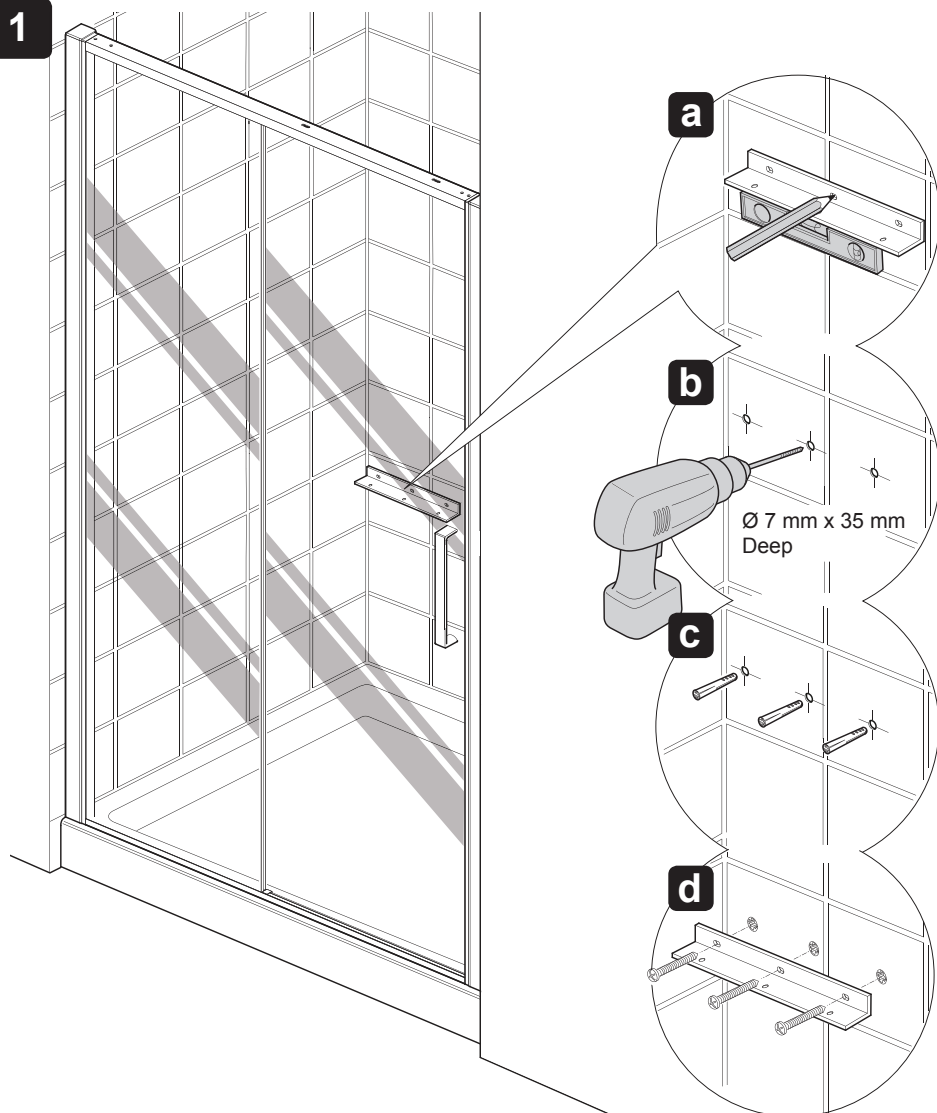
# TOOLS REQUIRED



# INSTALLATION

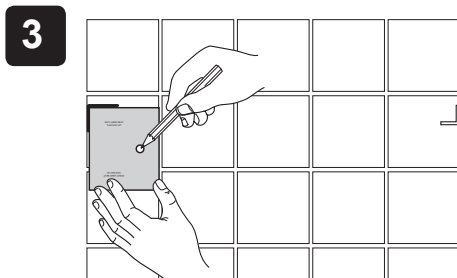
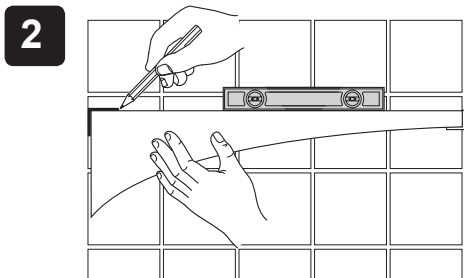
## Installation of the Shower Seat

1

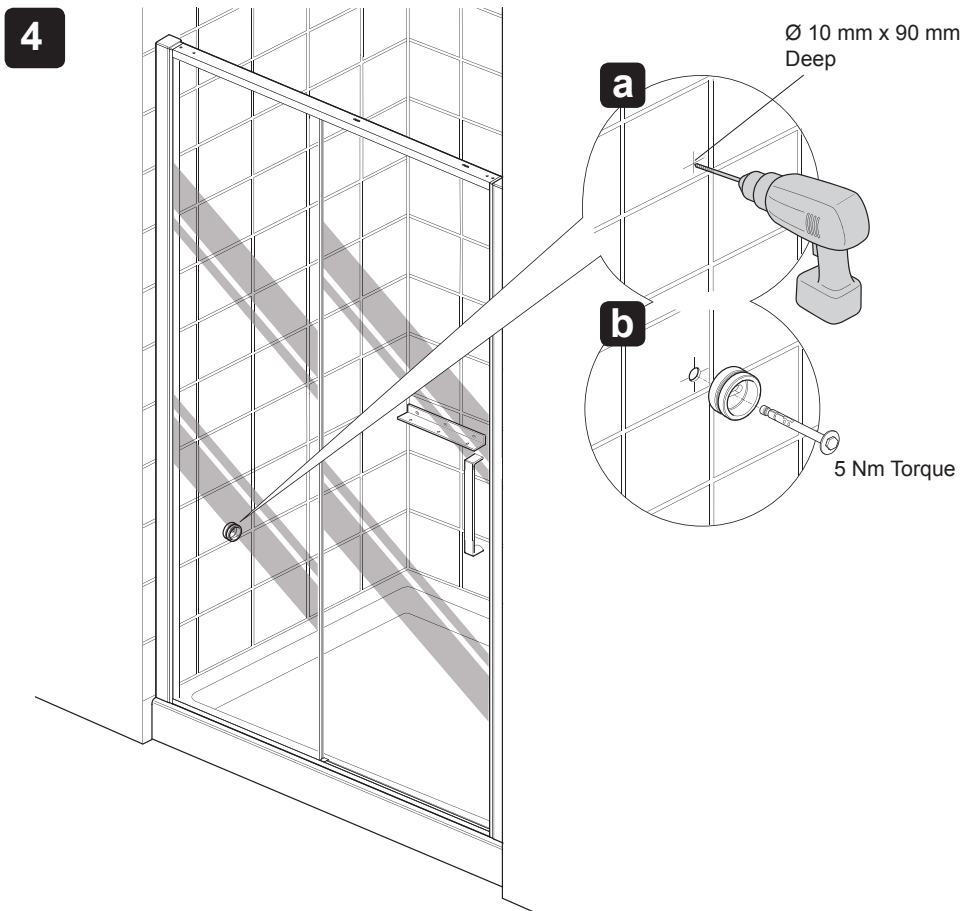


(a) Fix the bracket to the wall as shown above.

**Note!** A simple method of determining the shower seat height would be to measure the seat height of the users favourite/most comfortable chair, and fix the shower seat at a similar height.

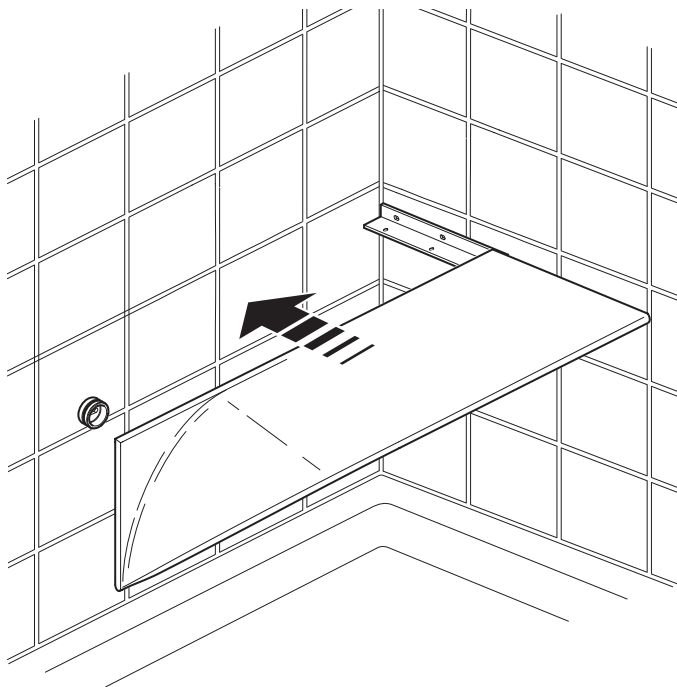


- (a) Rest the shower seat in position on the wall making sure it is level. Mark the position of the shower seat as shown above.
- (b) Position the installation template on the wall and mark the position of the fixing hole for the spigot. Make sure that the installation template is in the correct orientation.



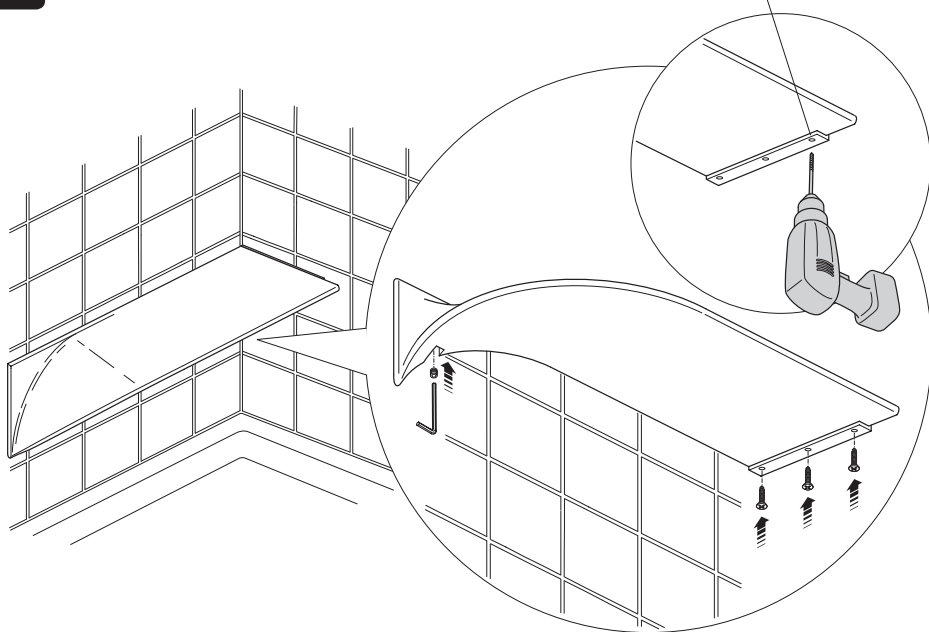
- (a) Fix the spigot to the wall as shown above.

5

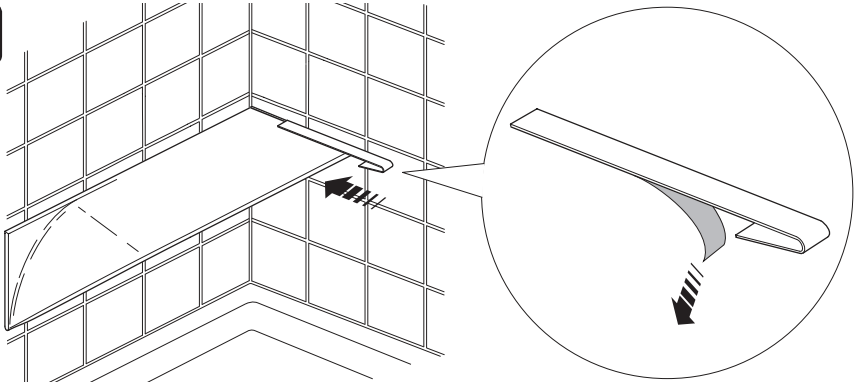


6

Drill three pilot holes  
Ø 3 mm x 15 mm deep



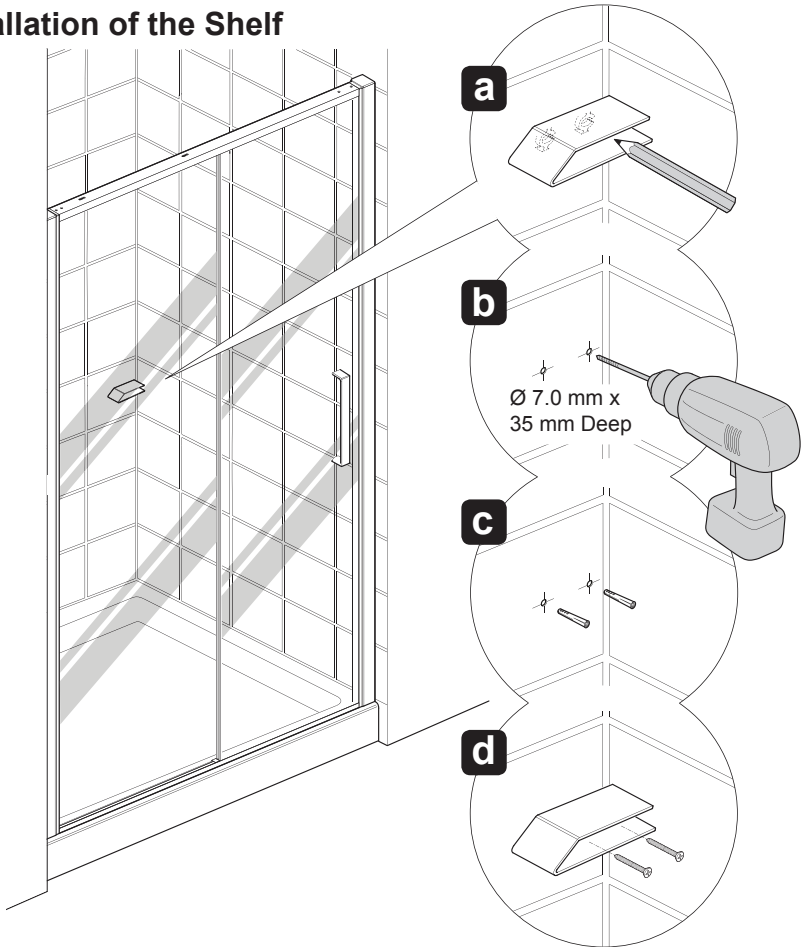
**7**



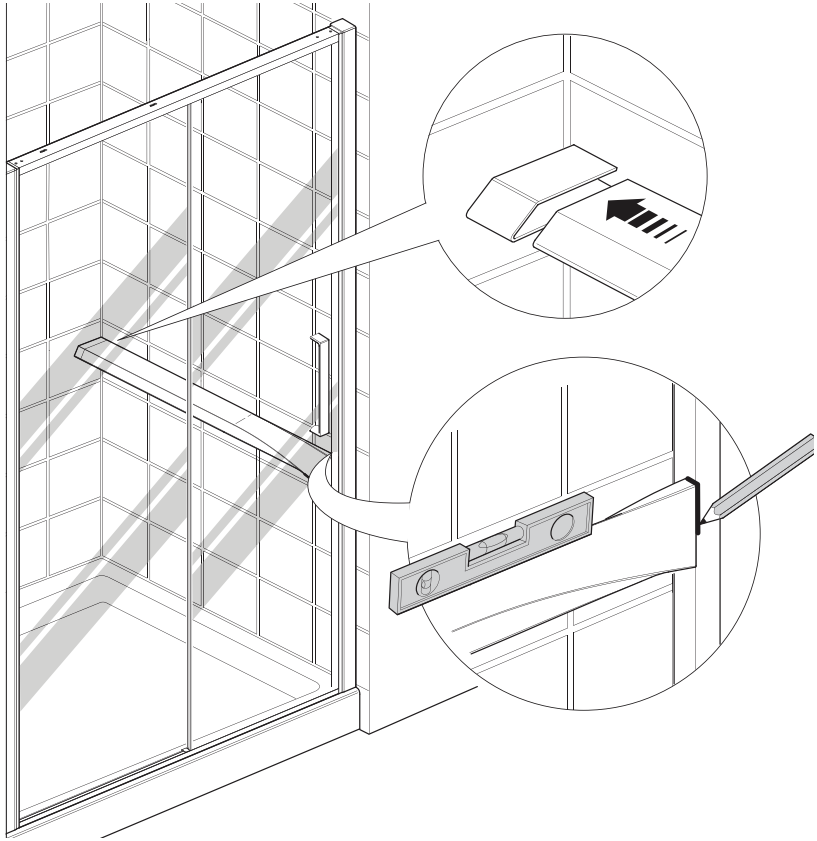
(a) Fit the double sided tape to the concealing strip, remove the backing and then fit to the seat as shown.

### Installation of the Shelf

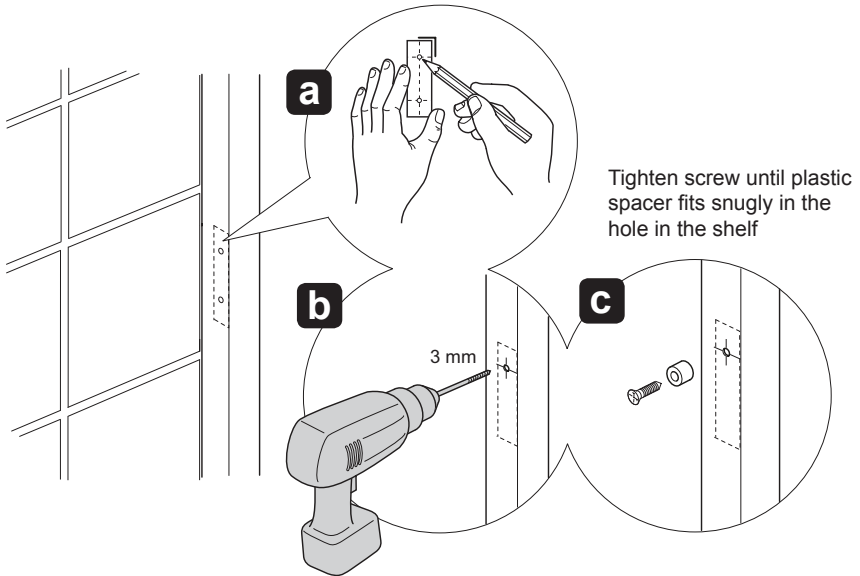
**1**



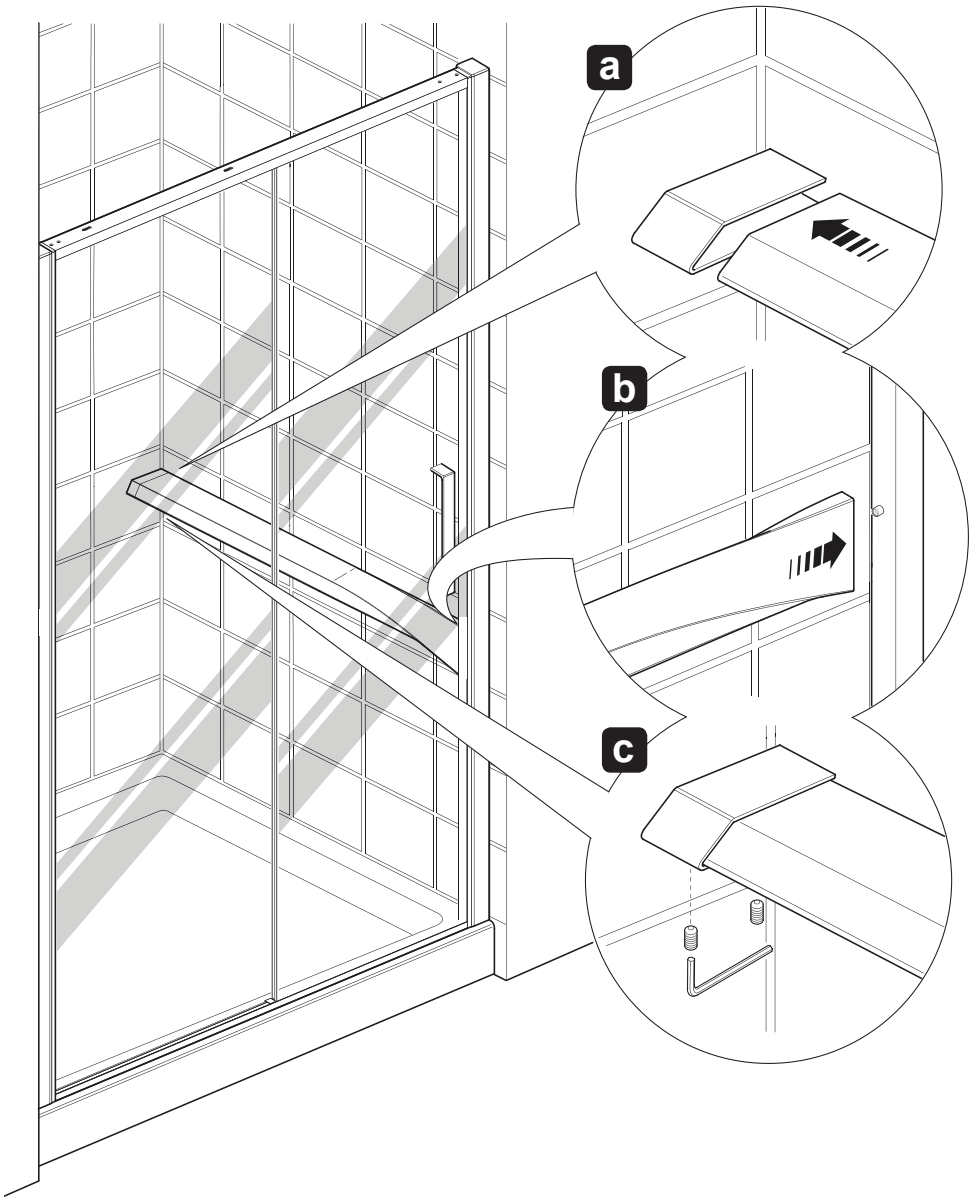
2



3



4



# USER MAINTENANCE

## Cleaning

To preserve the beauty of the shower seat and shelf wipe regularly with a damp cloth. To protect against stains, cuts and heat damage, please observe the following care instructions:

### Cleaning Stains

Because the shower seat and shelf are manufactured from a non-porous material, liquids and stains remain on the surface where they can be removed.

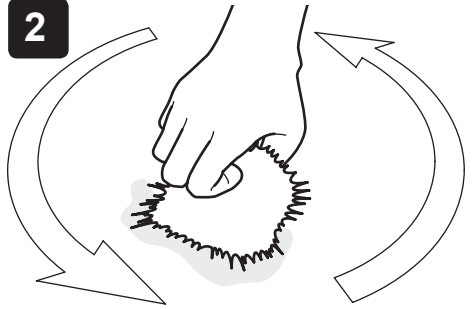
Always start by trying the gentlest method. If stains persist, then follow these steps, repeating the procedure if the stain starts to disappear.

1



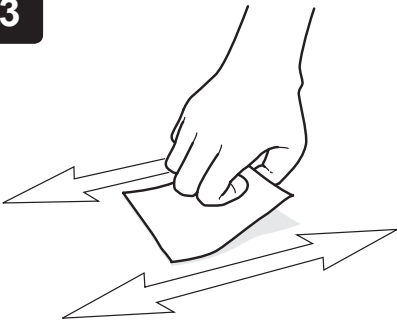
Try wiping the stain away with a damp cloth, moistened with a mild washing up detergent or soap solution.

2



If the stain persists, apply an abrasive cleaner and buff with a Scotch Brite Pad® or similar using a circular motion

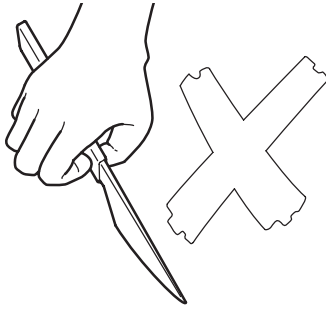
3



If the stain is still visible, sand it lightly with fine wet and dry paper, then buff in a circular motion with a Scotch Brite Pad® or similar.

## Cuts and Scratches

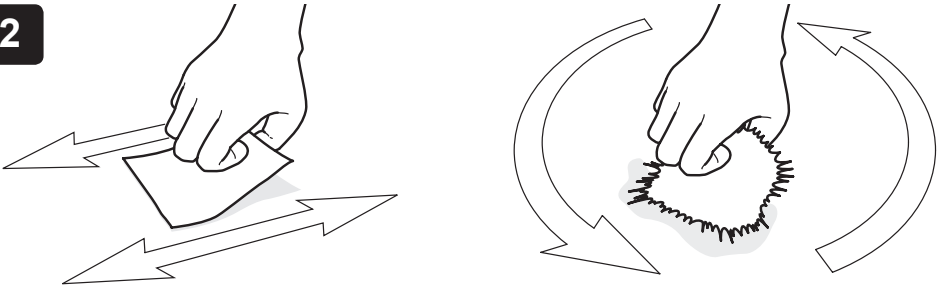
1



Do not use the shower seat and shelf as a cutting board. The surface can be scratched and will almost certainly blunt sharp knives.

---

2



Minor cuts and scratches can be sanded lightly with fine wet and dry paper, then buffed in a circular motion with a Scotch Brite Pad® or similar.

---

## Special Do's and Don'ts

**Do** - Rinse off household chemicals immediately, wash the surface with warm soapy water and wipe dry.

**Do** - Avoid harsh chemical liquids such as oven cleaners, drain cleaners containing caustic soda, rust removers, paint strippers, acetone based nail varnish removers and toilet bowl cleaners.

**Do Not** - Subject the shower seat and shelf to prolonged contact with acids, chlorinated solvents or kerosenes which may result in surface discoloration or etching.

# CUSTOMER SERVICE

## Guarantee

Your product has the benefit of our manufacturer's guarantee which starts from the date of purchase.

To activate this guarantee, please return your completed registration card or visit our website within 30 days of purchase.

Within the guarantee period we will resolve defects in materials or workmanship, free of charge, by repairing or replacing parts or product as we may choose.

**This guarantee is in addition to your statutory rights and is subject to the following conditions:**

- The guarantee applies solely to the original installation under normal domestic use and to the original purchaser only. The product must be installed and maintained in accordance with the instructions given in this user guide. The product must be inspected and issues reported before installation.
- Servicing must only be undertaken by us or our appointed representative. **Note!** if a service visit is required the product must be fully installed and connected to services.
- Repair under this guarantee does not extend the original expiry date. The guarantee on any replacement parts or product ends at the original expiry date.
- For trims, handles or consumable items we reserve the right to supply replacement parts only.

**The guarantee does not cover:**

- Call out charges for damage or defects caused by incorrect installation, mildew, limescale, corrosion, lack of maintenance, improper use, inappropriate cleaning (please refer to our Care and Maintenance Instructions) or where no fault has been with the product.
- Accidental or wilful damage.
- Compensation for loss of use of the product or consequential loss of any kind.
- Damage or defects caused if the product is repaired or modified by persons not authorised by us or our appointed representative.
- Wear and tear.
- Products purchased ex-showroom display.
- **Note!** integrated shower systems are subject to a separate guarantee.

## What to do if something goes wrong

If your product does not function correctly when you first use it, contact your installer to check that it is installed in accordance with the instructions in this manual.

If this does not resolve the issue, contact our Customer Services Team who will offer you or your installer help and advice.

If the performance of your product declines, check in this manual to see if simple home maintenance is required. If you require further assistance call our Customer Services Team.

## Helpdesk Service

Our dedicated Customer Services Team is comprehensively trained and can offer help and advice, spare parts, accessories or a service visit. We will need you to have your model name, model number and date of purchase. As part of our quality and training programme calls may be recorded or monitored.

## Daryl Website ([www.daryl-showers.co.uk](http://www.daryl-showers.co.uk))

From our website you can register your guarantee, download additional user guides, diagnose faults, purchase our full range of accessories and popular spares and request a service visit.

## Spares and Accessories

We maintain extensive stocks of genuine spares and accessories and aim to provide support throughout the product's expected life. Payment can be made by phone at time of order using most major Credit or Debit cards and we aim to despatch orders within two working days. Items purchased from us are guaranteed for 12 months from date of purchase.

**Returns** – items can be returned within one month of date of purchase, providing that they are in good condition and the packaging is unopened. Please obtain authorisation from our Customer Services Team before return. We reserve the right to apply a 15% restocking charge.

## Service / Repairs

Our nationwide team of Service Technicians can carry out all service or repair work to your product within the guarantee period and beyond.

You have the assurance of a fully trained Daryl Technician, genuine Daryl spare parts and a 12 month guarantee on any chargeable work done.

## To Contact Us

**UK**

**Telephone: 0844 571 0067**

E-mail: [Daryl@daryl-showers.co.uk](mailto:Daryl@daryl-showers.co.uk)

Fax: 0844 571 7175.

Daryl is a registered trade mark of  
Kohler Mira Limited.

The company reserves the right to alter  
product specifications without notice.



FM 14648

