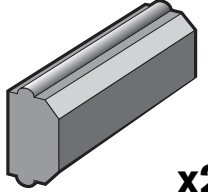
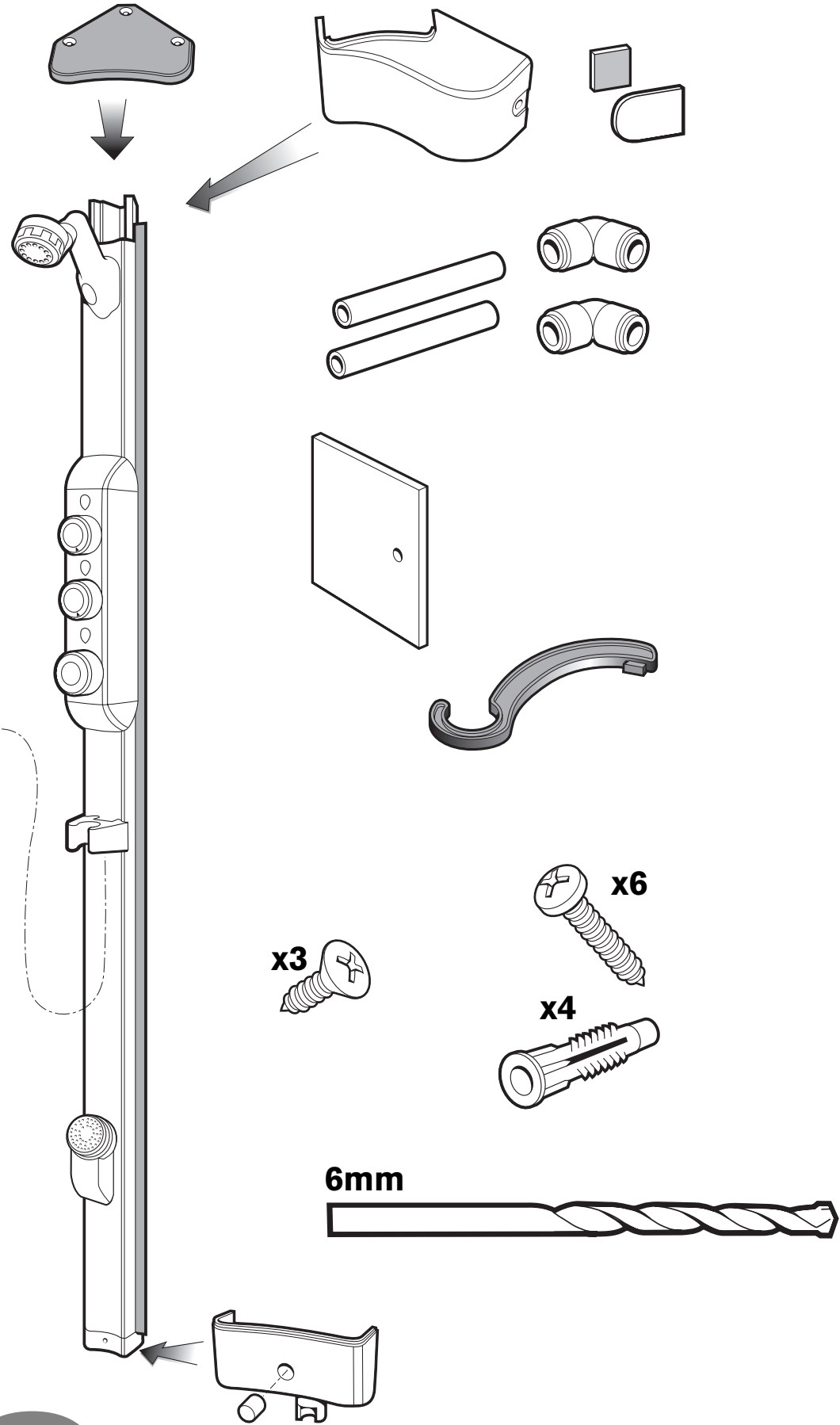



This part applies to the Cressida 2 Door Slider only. See panel "CRESSIDA ONLY"




x2



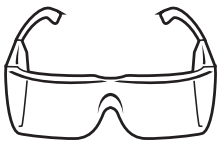
RECOMMENDED SAFETY PRECAUTIONS



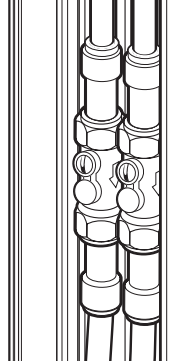
Protective footwear when lifting panels



Safety glasses when drilling

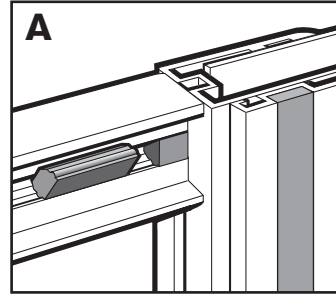
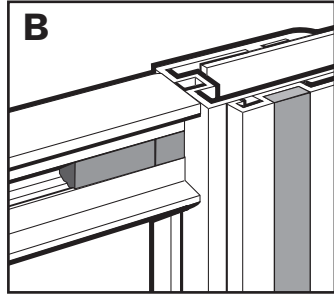
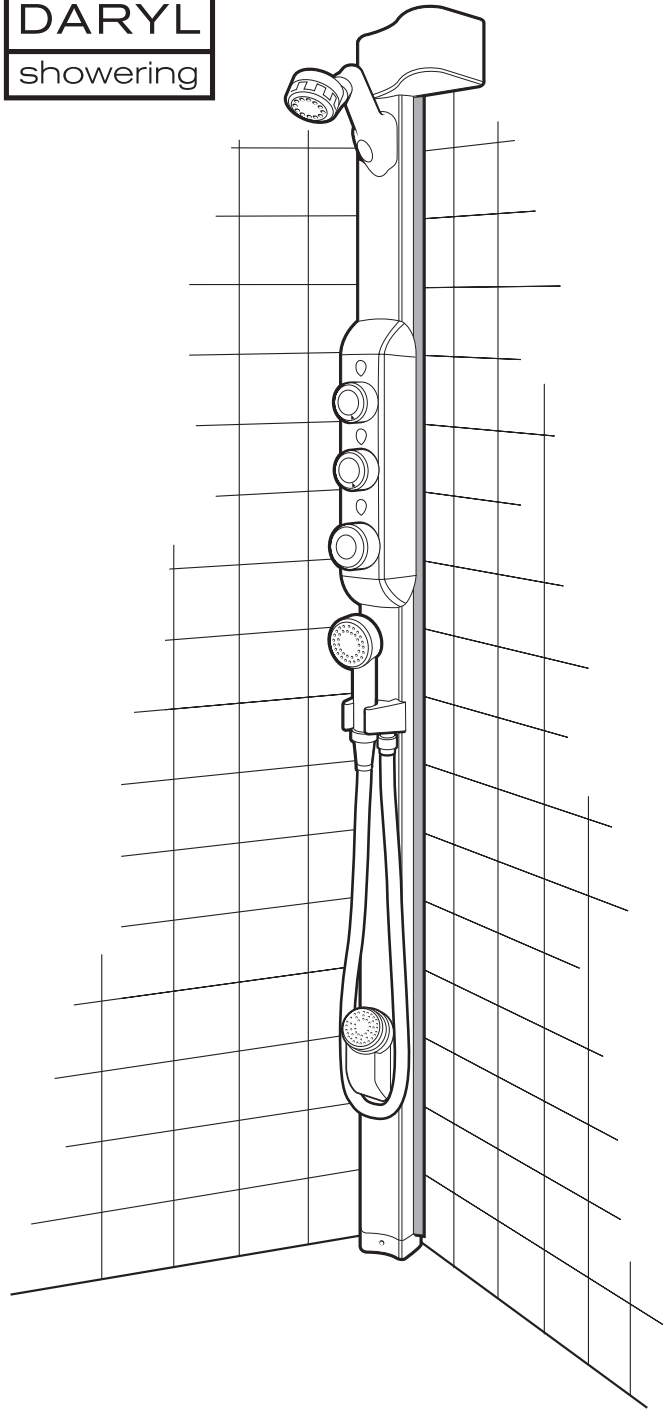


NOTE: Isolation valves are provided to allow isolation of the Hydra Senta. 15mm or 22mm pipework should be used as much as possible, reducing to 10mm. If a pump is fitted, check the manufacturers instructions for the preferred location.



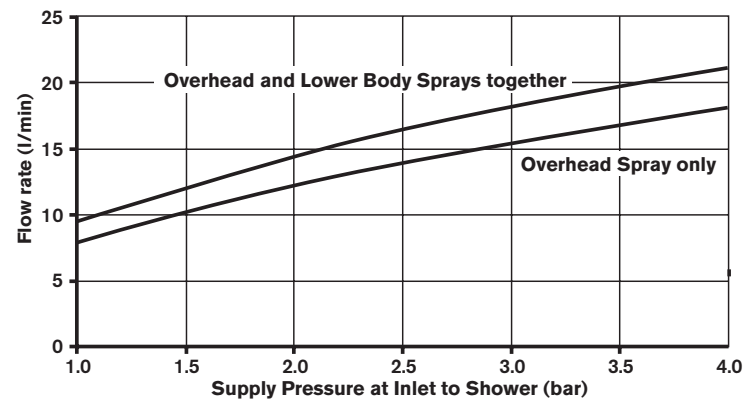
CRESSIDA ONLY

The Cressida 2 Door Slider requires a stop adding to the top and bottom roller tracks to prevent the door hitting the Hydrasenta. Insert the rubber stop into the lower groove of the runner, view 'A'. Push down on the top of the stop until it locates into the upper groove of the runner and slide to end of track view, 'B'.

44 (0)151 606 5000

WATER DELIVERY RATES (Flow Control Fully Open)



Hydra Senta (401 Adjacent)

Kohler Daryl Limited
 Alfred Road, Wallasey, Wirral, CH44 7HY England
 Tel 44 (0)151 606 5000 Fax 44 (0)151 638 0303
 www.daryl-showers.co.uk
 E-mail Daryl@daryl-showers.co.uk

