

DOOR ADJUSTMENT

When the Installation is complete minor adjustments may be required for the doors to fit square and level.

Using the screws & washers provided in the parts pack, fit to holes located on top of upper roller mountings.

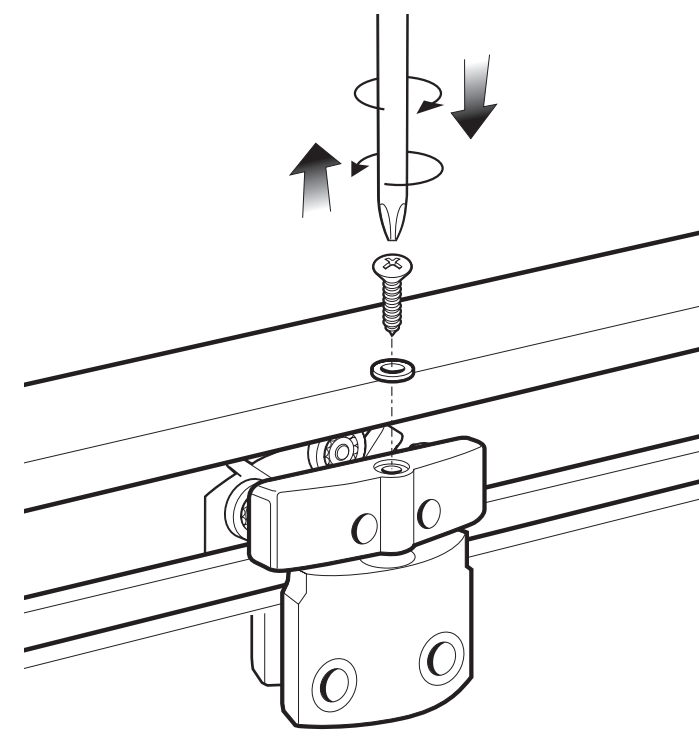
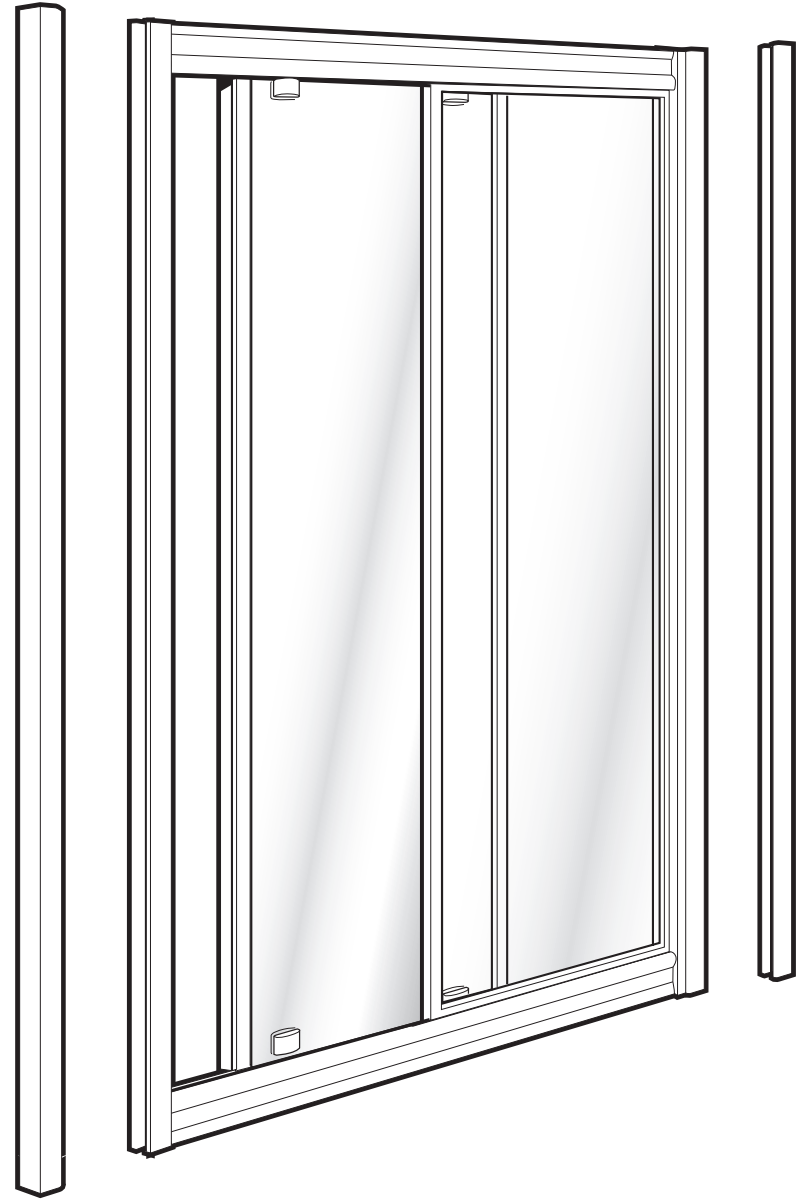
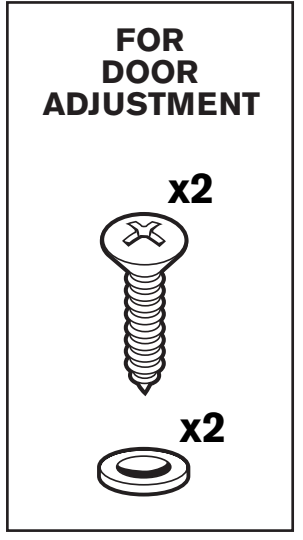
Adjust doors by screwing in or out until doors are in the correct position.



x4 (+4)



x8 (+4)



BATH SIZE	FRAME ADJUSTMENT
1700mm	1648 to 1709mm



44 (0)151 606 5000

Cyan bath sliding door (611)

Made in the UK by:
Kohler Daryl Limited
 Alfred Road, Wallasey, Wirral, CH44 7HY England
 Tel 44 (0)151 606 5000 Fax 44 (0)151 638 0303
 www.daryl-showers.co.uk
 E-mail Daryl@daryl-showers.co.uk

